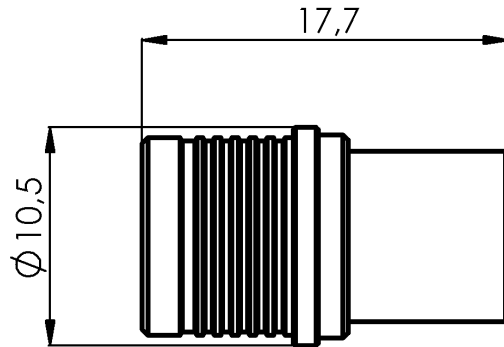


QMA MALE TERMINATION

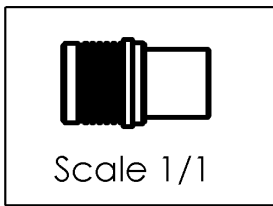
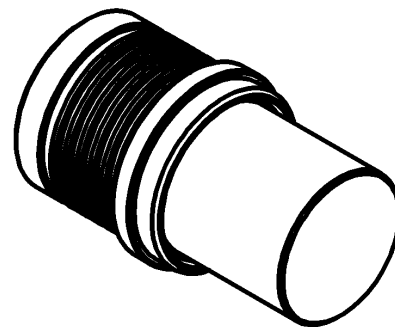
R404.114.000

1W ; 4GHZ

Series : **CHARGE**



Packaging by : 100
 Single packaging : W option
 Other : Contact us



dimensions are in mm.



| COMPONENTS | MATERIALS | PLATINGS (µm) |
|-----------------------|-----------|--------------------------|
| BODY | BRASS | BBR 2 |
| CENTER CONTACT | BRASS | GOLD 1.3 OVER COPPER 2.5 |
| OUTER CONTACT | BRASS | BBR 2 |
| INSULATOR | PTFE | |
| GASKET | - | |
| OTHERS PARTS | - | |

Issue : 0602 E

In the effort to improve our products, we reserve the right to make changes judged to be necessary.



QMA MALE TERMINATION

1W ; 4GHZ

R404.114.000

Series : **CHARGE**

ELECTRICAL CHARACTERISTICS

| Frequency | DC-1 GHz | 1-2.5 GHz | 2,5-4 GHz | GHz | GHz |
|-----------|----------|-----------|-----------|-----|-----|
| V.S.W.R | ≤1.08 | ≤1.20 | ≤1.25 | ≤ | ≤ |

Impedance 50 Ω
 Average power at 25°C 1 W
 Peak power at 25°C 100 W (1μs, 1%)

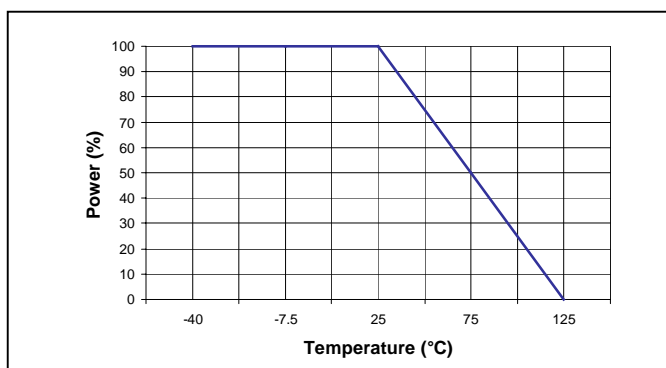
MECHANICAL CHARACTERISTICS

Connectors QMA Male
 Weight 6,0520 g

ENVIRONMENTAL

Operating temperature range -40/+105 °C
 Storage temperature range -40/+105 °C

Power derating
 Versus temperature



SPECIFICATION

OTHER CHARACTERISTICS

Issue : 0602 E

In the effort to improve our products, we reserve the right to make changes judged to be necessary.

