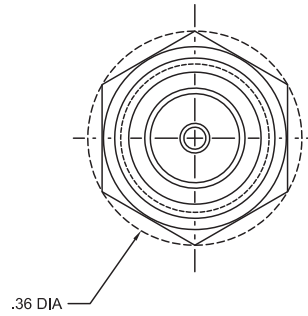
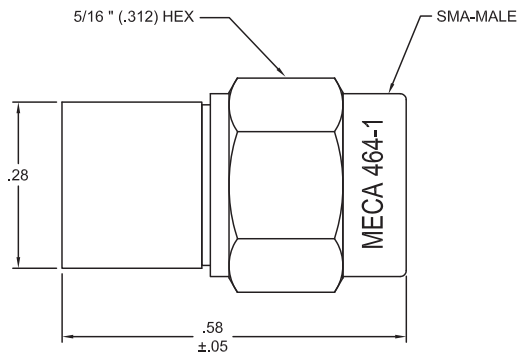



ELECTRICAL SPECIFICATIONS

FREQUENCY RANGE (GHz):	DC - 18.00
IMPEDANCE (NOMINAL):	50 Ohms
VSWR (MAX):	
DC - 4.00 GHz:	1.15:1
4.00 - 8.00 GHz:	1.20:1
8.00 - 12.40 GHz:	1.25:1
12.4 - 18.0 GHz:	1.30:1
POWER (AVG):	2 WATTS @ +25°C
	DERATES LINEARLY TO
	1 WATTS @ +125°C
(PEAK):	250 WATTS 5 μSEC PULSE,
	0.05% DUTY CYCLE

MECHANICAL SPECIFICATIONS

CONNECTOR:	SMA-MALE, STAINLESS STEEL, PASSIVATE
CONNECTOR PINS:	BRASS, GOLD PLATE
CONNECTOR NUT:	STAINLESS STEEL, PASSIVATE
INSULATORS:	PTFE, VIRGIN ELECTRICAL GRADE
OPERATING TEMPERATURE:	-55°C TO +85°C
WEIGHT:	0.07 oz.



F		SEE DCN # 081211-3	12/12/08	GQ	RR	MATERIAL:	UNLESS OTHERWISE SPECIFIED, DIMENSIONS ARE IN INCHES	 ELECTRONICS, INC. DENVER, NEW JERSEY e-meca.com				
						FINISH:	TOLERANCES 2 PLACES: ±.02 3 PLACES: ±.010 ANGLES: N/A					
LTR	PG	DESCRIPTION	DATE	DR	APP	DRAWN: AI	DATE: 10/14/05	TIR: N/A	TITLE TERMINATION, 50 OHMS, 2 WATTS, TYPE SMA-MALE			
						APPROVED: JL	DATE: 10/14/05	SCALE: NTS SHEET: 1 OF 1	SIZE A	CODE IDENT. NO. 22424	DRAWING NO. 464-1	REV F