

4

3

2

1

SPECIFICATIONS

ELECTRICAL

FREQUENCY RANGE _____ DC - 26.5GHz

VSWR _____ SEE TABLE

IMPEDANCE _____ 50 OHMS

TEMPERATURE RANGE _____ 4 KELVIN TO +125°C

POWER (AVG) _____ 1 WATT
POWER DERATES LINEARLY FROM +45°C TO <10% @+125°C

POWER (PEAK) _____ 500 WATTS
(<5 μ SEC PW, <1% DUTY CYCLE)

MECHANICAL

INNER CONDUCTOR: _____ BERYLLIUM COPPER PER
ASTM B196 & B197.

OUTER CONDUCTOR: _____ STAINLESS STEEL, PER ASTM
A484 & A582, CLASS 303, COND. A.

DIELECTRIC: TEFLON PER ASTM D1710.

FINISH

INNER CONDUCTOR: _____ GOLD PLATED PER MIL-PRF-39012.

HOUSING/COUPLING NUT FINISH PER SUFFIX (REPLACING -0X IN P/N)
-00 OUTER CONDUCTOR/NUT GOLD PLATED
-02 OUTER CONDUCTOR/NUT PASSIVATED SS
-01 OUTER CONDUCTOR GOLD PLATED, NUT PASSIVATED SS

ADD "C" TO THE END OF PART NUMBER FOR CHAINED UNITS. (EXCLUDING PARTS 2001-6105-0X-CRYO AND 2001-6115-0X-CRYO)

**** EXCEPTION FOR THE 200X-6151-02-CRYO, OUTER HOUSING IS GOLD PLATED AND NUT IS PASSIVATED**

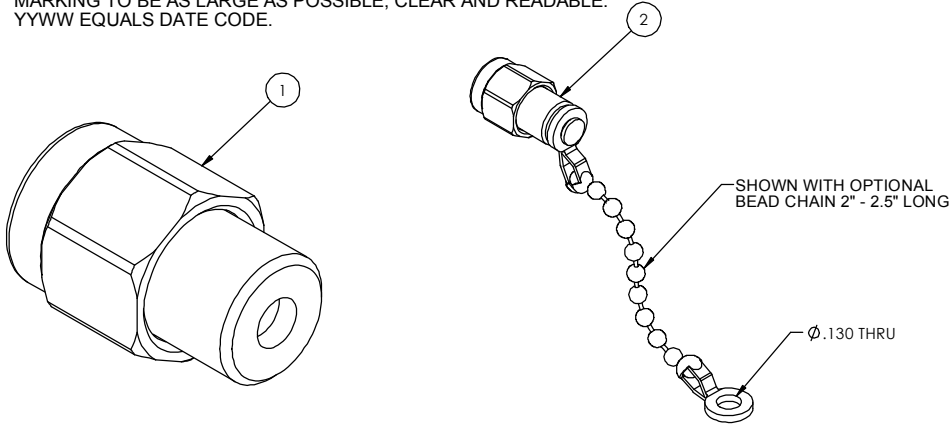
ADD C FOR 2-2.5" CHAIN ATTACHED

CONNECTOR INTERFACE COMPLIES WITH MIL-PRF-39012 AND MIL-STD-348 FOR SMA MATING CHARACTERISTICS.

RoHS COMPLIANT DEVICE

MARKING

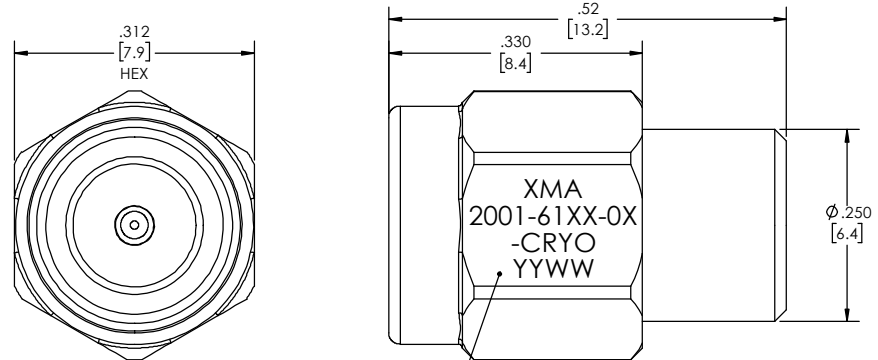
PART LOOKS LIKE PRODUCT IMAGE ABOVE.
PART MARKING ORIENTATION AND FORMAT AS SHOWN.
MARKING TO BE AS LARGE AS POSSIBLE, CLEAR AND READABLE.
YYWW EQUALS DATE CODE.



| REVISIONS | | | | |
|-----------|------------------------------------|--------|---------|----------|
| REV | DESCRIPTION | ECO # | DATE | APPROVED |
| C | MODIFIED TABLE; 2001-6143-0X | 15-245 | 8/11/15 | T.KUHN |
| D | REVISED MARKING AREA | 15-297 | 10/7/15 | T.KUHN |
| E | ADDED ** NOTE TO TABLE; LENGTH TOL | 16-143 | 6/23/16 | T.KUHN |
| F | REMOVED 2001-6118-0X | 17-046 | 4/11/17 | T.KUHN |

| FREQUENCY (GHz) | VSWR DC-4 (GHz) | VSWR 4-12.4 (GHz) | VSWR 12.4-18 (GHz) | VSWR 18-26.5 (GHz) | PART NUMBER |
|-------------------------------------|---------------------------|-------------------|--------------------|--------------------|---------------------|
| DC-4 | DC-1 1.05:1 2-4 1.10:1 | - | - | - | 2001-6151-02-CRYO** |
| DC-12.4 | 1.05:1 | 1.05:1 | - | - | 2001-6116-0X-CRYO |
| DC-18 | 1.05:1 | 1.10:1 | 1.25:1 | - | 2001-6144-0X-CRYO |
| | 1.05:1 | 1.15:1 | 1.15:1 | - | 2001-6105-0X-CRYO* |
| | 1.05:1 | 1.15:1 | 1.15:1 | - | 2001-6100-0X-CRYO |
| | 1.05:1 | 1.15:1 | 1.20:1 | - | 2001-61010X-CRYO |
| | 1.05:1 +0.01 f (GHz) | DC - 18GHz | - | - | 2001-6143-0X-CRYO |
| | 1.05:1 | 1.05:1 | 1.10:1 | - | 2001-6117-0X-CRYO |
| | 1.10:1 | 1.10:1 | 1.10:1 | - | 2001-6111-0X-CRYO |
| | 1.05:1 | 1.15:1 | 1.20:1 | - | 2001-6112-0X-CRYO |
| DC-26.5 | 1.10:1 | 1.20:1 | 1.30:1 | - | 2001-6113-0X-CRYO |
| | 1.10:1 | 1.20:1 | 1.30:1 | - | 2001-6115-0X-CRYO* |
| | 1.05:1 | 1.10:1 | 1.20:1 | 1.30:1 | 2001-6110-0X-CRYO |
| 1.05:1 + .007f (GHz) DC TO 26.5 GHz | | | | | 2001-6119-0X-CRYO |

*** WITH 2" TO 2.5" MONEL BEAD CHAIN**
**** EXCEPTION FOR THE 200X-6151-02-CRYO, OUTER HOUSING IS GOLD PLATED AND NUT IS PASSIVATED**



| NO CHAIN | CHAIN | PART NUMBER | DESCRIPTION | ITEM NO. |
|----------|-------|--------------------------|--|----------|
| | | 2001-61XX-0X-CRYO | TERMINATION, SMA-m, DC-26.5 GHz | |
| 1 | - | TA-2001-6000-0XYYU-CRYO | ASSEMBLY, TERMINATION, SMA-m, DC-26.5 GHz, UNMARKED | 1 |
| - | 1 | TA-2001-6000-0XYYUC-CRYO | ASSEMBLY, TERMINATION, SMA-m, DC-26.5 GHz, CHAINED, UNMARKED | 2 |

DRAWING PRACTICES PER ANSI Y14.5
DIM-STD-10 & 1002

UNLESS OTHERWISE SPECIFIED TOLERANCES IN:
DECIMALS INCH (MM)

Surface Roughness: 63

FINISH: SEE NOTES

MATERIAL: REMOVE ALL BURRS/SHARP W/ BREAK / R OF .003" TO .0005"

NOTE: THIS DRAWING INCORPORATES THIRD ANGLE PROJECTION.

INTERPRET LAW ANSI Y14.5-1982

UNLESS OTHERWISE SPECIFIED TOLERANCES IN:
DECIMALS INCH (MM)
X" .05" [1.27]
.XX" .03" [.76]
.XXX" .010" [.25]

ANGLES ±0°30'
REMOVE ALL BURRS/SHARP W/ BREAK / R OF .003" TO .0005"
UNLESS OTHERWISE NOTED DIAS CONCENTRIC <.003 T.I.F.

DO NOT SCALE PRINT

DRAWN DATE
MCCORMICK 11/20/11

CHECKED DATE
MCCORMICK 11/20/11

ENG APPR. DATE
T.KUHN 11/20/11

THESE DRAWINGS AND SPECIFICATIONS ARE THE PROPERTY OF XMA CORP. OR OMNI SPECTRA AND SHALL NOT BE REPRODUCED, COPIED NOR USED IN WHOLE OR IN PART AS A BASIS FOR THE MANUFACTURE OR SALE OF OTHER ITEMS WITHOUT THE EXPRESS WRITTEN PERMISSION OF XMA CORP.

Phone: 603-222-2256 Fax: 603-222-2259
150 Dow Street, Manchester, NH 03103

TERMINATION, SMA-m, DC-26.5 GHz

| SIZE | CAGE CODE | DRAWING NUMBER | REV |
|------|-----------|-------------------|-----|
| C | 3HT76 | 2001-61XX-0X-CRYO | F |

SCALE: PLATED AREA 50 IN SHEET 1 OF 1

4

3

2

1