

# MECHANICAL SPECIFICATIONS

## MATERIALS (ALL PER MIL-PRF-39012 & MIL-DTL-39030)

- INNER CONDUCTOR: BERYLLIUM COPPER PER ASTM B196 & B197.
- OUTER CONDUCTOR: STAINLESS STEEL, CORROSION RESISTANT PER ASTM A484 & A582, CLASS 303, COND. A.
- DIELECTRIC: TEFLON PER ASTM D1710.

## FINISH (ALL PER MIL-PRF-39012 & MIL-DTL-39030)

- INNER CONDUCTOR: GOLD PLATED PER MIL-PRF-39012.
- HOUSING/COUPLING NUT FINISH PER SUFFIX (REPLACING -0X IN MODEL #)
  - 00 OUTER CONDUCTOR / NUT BOTH GOLD PLATED
  - 02\* OUTER CONDUCTOR / NUT BOTH PASSIVATED SS
  - 01 OUTER CONDUCTOR GOLD PLATED BUT NUT PASSIVATED SS
  - 0X-C APPENDING "-C" ADDS CHAIN ASSEMBLY, 2" - 2.5" LONG AVAILABLE ON 2001 AND 2003 SERIES

\* Exception for the 200X-6151-02, Outer Is Gold Plated and Nut Is Passivated

FOR UNMARKED UNITS OR FOR CUSTOM MARKING CONTACT FACTORY FOR PART NUMBER / SUFFIX TO APPEND TO MODEL NUMBER

**MEETS ALL ENVIRONMENTAL REQUIREMENTS IN MIL-DTL-39030/3**

## ELECTRICAL SPECIFICATIONS

Frequency Range	DC - 27 GHz (See Chart, Sht. 2)
VSWR:	SEE SHEET TWO
IMPEDANCE:	50 OHMS
TEMPERATURE RANGE (°C)	-65 TO +125 OPERATING +150° STORAGE

POWER (AVG)	1 WATT**
POWER (PEAK) (<5 m SEC PW, <1% DUTY CYCLE)	500 WATTS

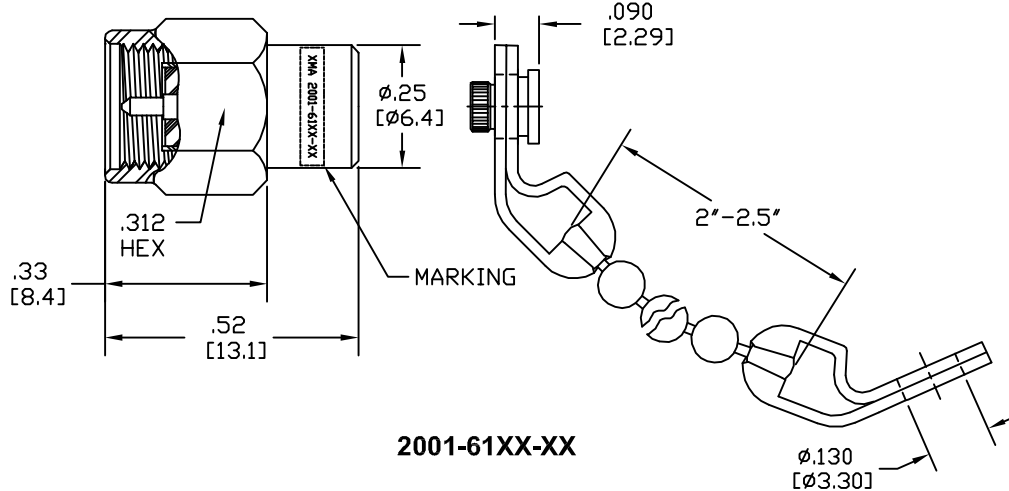
\*\*POWER DERATES LINEARLY FROM +45°C TO <10 % @+125°C

**PRODUCTION RELEASE**

NOTE:  
THIS DRAWING INCORPORATES THIRD ANGLE PROJECTION.  
INTERPRET IAW ANSI Y14.5-1995

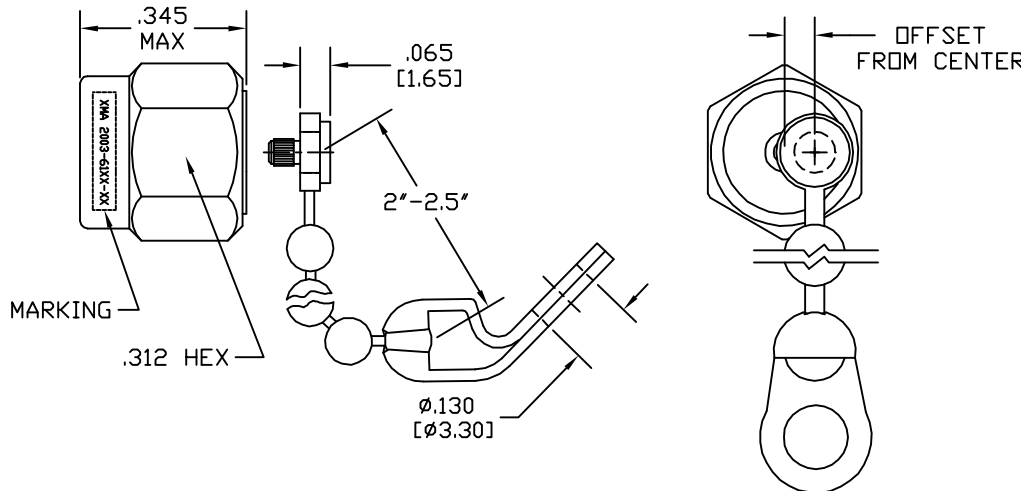
REVISIONS

REV	DESCRIPTION	DATE	APPROVED
-	REVISED TO NEW LAYOUT & UPDATED FORMAT	05/25/2011	D.S.S



**2001-61XX-XX**

**INTERFACES MATE / COMPLY WITH MIL-STD-348 FOR SMA**



**2003-61XX-XX**

**AVAILABLE WITH NUT WIRELOCK HOLES, CONTACT FACTORY**

DRAWING PRACTICES PER ANSI Y14.5-1995 MIL-STD-100 & 1000	UNLESS OTHERWISE SPECIFIED TOLERANCES IN DECIMALS INCH MM	DRAWN T. MAIN DATE 05/16/2011
DIMENSIONS ARE IN INCHES AND APPLY BEFORE/ AFTER PROCESSING	.XX .05 [1.3]	CHECKED D. SAUNDERS DATE 05/25/2011
SURFACE FINISH	.XXX .030 [ .76]	DATE 05/25/2011
	.XXXX .015 [ .39]	DATE 05/25/2011
	.XXXXX .0005 [ .013]	
FINISH	ANGLES ±	
SEE NOTES		
MATERIAL	UNLESS OTHERWISE NOTED DIAS CONCENTRIC <.003 T.I.R.	
SEE NOTES		

DATE 05/16/2011	DATE 05/25/2011	DATE 05/25/2011
05/16/2011	05/25/2011	05/25/2011
05/16/2011	05/25/2011	05/25/2011

WWW.XMACorp.com Sales@XMACorp.com

**XMA** Omni **Spectra**



XMA Corp. 150 Dow St. Manchester, NH 03045 (603) 222-2256 fax 222-2259

TITLE  
**1 WATT SMA TERMINATION DC TO 27 GHz**

SIZE C	CAGE CODE 3HT76	DWG NO. 2001-61XX-XX
SCALE 5:1	PLATE OFF CO. REF. B.C.H.F.	XXX SHEET 1 OF 2

REVISIONS		
REV	DESCRIPTION	APPROVED
-	REVISED TO NEW LAYOUT & UPDATED FORMAT	05/25/2011 D.S.S

FREQUENCY (GHz)	AVERAGE POWER (WATTS)	VSWR DC - 4 (GHz)	VSWR 4 - 12.4 (GHz)	VSWR 12.4 - 18 (GHz)	VSWR 18 - 26.5 (GHz)	PART NUMBER
DC - 4.0	1.0	DC-2 1.10:1	-	-	-	2001-6500-0X
		2-4 1.15:1	-	-	-	2001-6501-0X
		DC-1 1.05:1	-	-	-	2001-6151-02
		2-4 1.10:1	-	-	-	2003-6151-02
DC - 12.4	1.0	1.05:1	1.05:1	-	-	2001-6116-0X
		1.05:1	1.05:1	-	-	2003-6116-0X
DC - 18.0	1.0	1.05:1	1.15:1	1.15:1	-	2001-6105-0X
		1.05:1	1.15:1	1.15:1	-	2001-6100-0X
		1.05:1	1.15:1	1.20:1	-	2001-6101-0X
		1.09:1	1.17:1	1.23:1	-	2001-6143-0X
		1.05:1	1.05:1	1.05:1	-	2001-6118-0X
		1.05:1	1.05:1	1.10:1	-	2001-6117-0X
		1.10:1	1.10:1	1.10:1	-	2001-6111-0X
		1.05:1	1.15:1	1.20:1	-	2001-6112-0X
		1.10:1	1.20:1	1.30:1	-	2001-6113-0X
		1.10:1	1.20:1	1.30:1	-	2001-6115-0X
		1.05:1	1.05:1	1.10:1	-	2003-6117-0X
		1.10:1	1.10:1	1.10:1	-	2003-6111-0X
		1.05:1	1.15:1	1.20:1	-	2003-6112-0X
		1.10:1	1.20:1	1.30:1	-	2003-6113-0X
1.10:1	1.20:1	1.30:1	-	2003-6115-0X		
DC - 26.5	1.0	1.05:1	1.10:1	1.20:1	1.30:1	2001-6110-0X
		1.05:1	1.10:1	1.20:1	1.30:1	2003-6110-0X
		1.05:1 + .007f (GHz) 1.05 @ DC to 1.24 @ 26.5 GHz				2001-6119-0X


 Powered by: 

XMA Corp. 150 Dow St. Manchester, NH 03045 (603) 222-2256 fax 222-2259

**TITLE**  
 1 WATT SMA TERMINATION  
 DC TO 27 GHz

SIZE C	CAGE CODE 3HT76	DWG NO. 2001-61XX-XX
SCALE 5 : 1	PLATE OFF EQ. REF. BENCH	XXX SHEET 2 OF 2