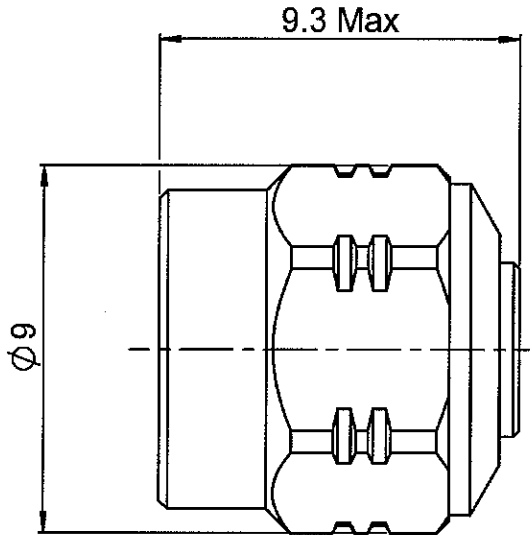


COAXIAL TERMINATION SMA MALE

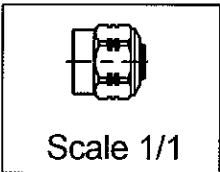
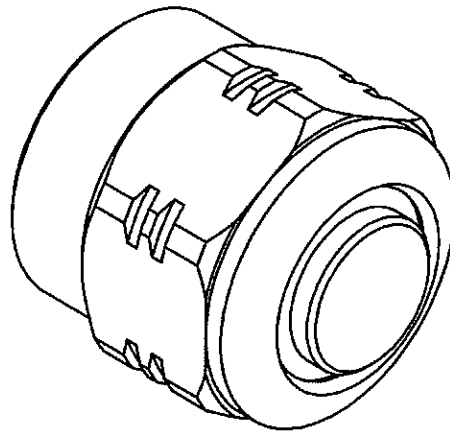
1W 4GHZ PACK 500

R404.101.000

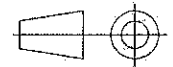
Series : **CHARGE**



Packaging by : 500
 Single packaging : W option
 Other : Contact us



dimensions are in mm.



COMPONENTS	MATERIALS	PLATINGS (µm)
BODY	BRASS	NICKEL 2
CENTER CONTACT	BRASS	GOLD 0.5 OVER NICKEL 2
OUTER CONTACT		
INSULATOR	PTFE	
GASKET	SILICONE RUBBER	
OTHERS PARTS	BRASS	BBR 2

Issue : 0449 E

In the effort to improve our products, we reserve the right to make changes judged to be necessary.



COAXIAL TERMINATION SMA MALE

1W 4GHZ PACK 500

R404.101.000

Series : **CHARGE**

ELECTRICAL CHARACTERISTICS

Frequency	DC-1	GHz	1-4	GHz	GHz	GHz	GHz
V.S.W.R	≤1.08		≤1.20		≤		≤

Impedance 50 Ω
 Average power at 25°C 1 W
 Peak power at 25°C 100 W

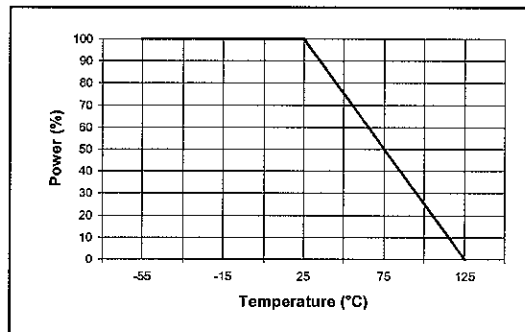
MECHANICAL CHARACTERISTICS

Connectors SMA Male
 Coupling torque 60 N.cm
 Mating life 100 Cycles mini.
 Weight 1.000 g

ENVIRONMENTAL

Operating temperature range -55/+125 °C
 Storage temperature range -55/+125 °C

Power derating
 Versus temperature



SPECIFICATION

OTHER CHARACTERISTICS

Issue : 0449 E

In the effort to improve our products, we reserve the right to make changes judged to be necessary.



RADIALL®