

4 | 3 | 2 | 1

REVISIONS				
REV	DESCRIPTION	ECD #	DATE	APPROVED
-	RELEASED	13-037	02/15/13	T. KUHN

MECHANICAL SPECIFICATIONS

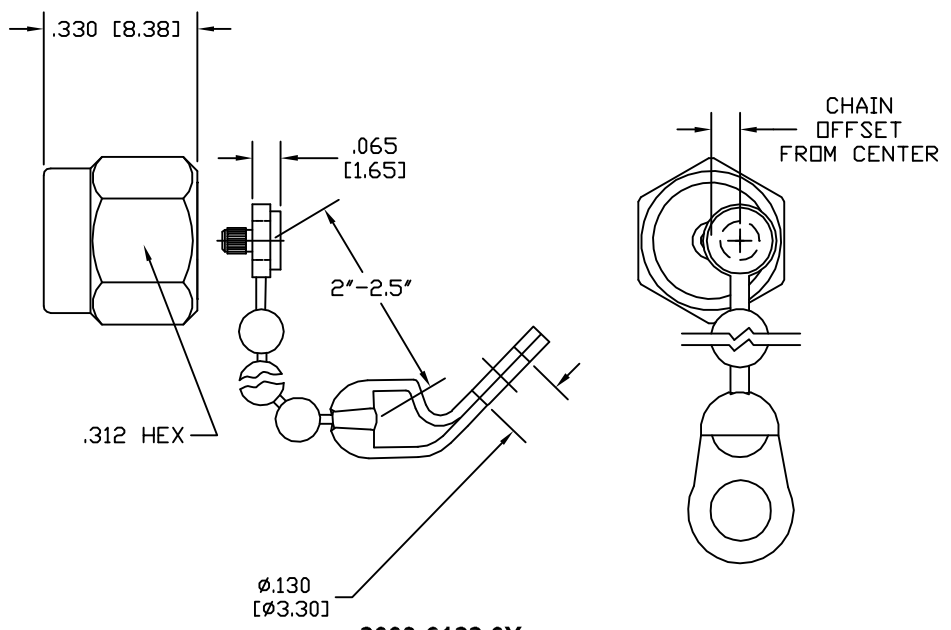
MATERIALS (ALL PER MIL-PRF-39012 & MIL-DTL-39030) AQL 2.5 INSPECTION

- INNER CONDUCTOR: BERYLLIUM COPPER PER ASTM B196 & B197.
- OUTER CONDUCTOR: STAINLESS STEEL, CORROSION RESISTANT PER ASTM A484 & A582, CLASS 303, COND. A.
- DIELECTRIC: TEFLON PER ASTM D1710.

FINISH (ALL PER MIL-PRF-39012 & MIL-DTL-39030)

- INNER CONDUCTOR: GOLD PLATED PER MIL-PRF-39012.
- HOUSING/COUPLING NUT FINISH PER SUFFIX (REPLACING -0Y IN MODEL #)
 - 0Y Finish On Housing/Coupling Nut
 - 00 OUTER CONDUCTOR / NUT BOTH GOLD PLATED
 - 02* OUTER CONDUCTOR / NUT BOTH PASSIVATED SS
 - 01 OUTER CONDUCTOR GOLD PLATED BUT NUT PASSIVATED SS
 - 0Y-C APPENDING "-C" ADDS CHAIN ASSEMBLY, 2" - 2.5" LONG

MEETS ALL ENVIRONMENTAL REQUIREMENTS IN MIL-DTL-39030/3



2003-6122-0Y

AVAILABLE WITH NUT WIRELOCK HOLES,
CONTACT FACTORY

ELECTRICAL SPECIFICATIONS

Frequency Range _____ DC - 18 GHz

VSWR:	DC to 4 GHz	<1.05:1
	4 to 8 GHz	<1.10:1
	8 to 12 GHz	<1.15:1
	12 to 18 GHz	<1.20:1

IMPEDANCE: _____ 50 OHMS, REF,

TEMPERATURE RANGE (°C) _____ -65 TO +125 OPERATING
+150° STORAGE

POWER (AVG) _____ 1 WATT

**POWER DERATES LINEARLY FROM +45°C TO 10% @+125°C

POWER (PEAK) (<5 μSEC Pulse Width & <1% DUTY CYCLE) _____ 500 WATTS

DRAWING PRACTICES PER ANSI-Y-14.5 DIMENSIONS ARE IN INCHES AND APPLY BEFORE/AFTER PROCESSING SURFACE FINISHNESS INCHES 63 ✓ FINISH SEE NOTES MATERIAL SEE NOTES NOTE: THIS DRAWING INCORPORATES THIRD ANGLE PROJECTION INTERPRET (AW ANSI Y14.5-1998)	UNLESS OTHERWISE SPECIFIED TOLERANCES IN: DECIMALS INCH DIMS .XX" .03" [0.76] .XXX" .010" [0.25] .XXXX" .005 [0.127] .XXXXX" .0005" [0.013] ANGLES ±0°30' REMOVE ALL BURRS/SHARP W/ BREAK / R OF .003" TO .0005" UNLESS OTHERWISE NOTED DIAS CONCENTRIC <.003 T.I.R. DO NOT SCALE PRINT	DRAWN D. SAUNDERS 02/12/2013 CHECKED D. SAUNDERS 02/12/2013 ENG APPR. D. SAUNDERS 02/12/2013 THESE DRAWINGS AND SPECIFICATIONS ARE THE PROPERTY OF XMA CORP. OR OMNI SPECTRA AND SHALL NOT BE REPRODUCED, COPIED NOR USED - IN WHOLE OR IN PART - AS A BASIS FOR THE MANUFACTURE OR SALE OF OTHER ITEMS WITHOUT THE EXPRESS WRITTEN PERMISSION OF XMA CORP.
---	---	---

XMA Powered by
Omni Spectra®
Phone 603-222-2256 Fax 603-222-2259
150 Dow Street, Manchester, NH 03101

1 WATT TERMINATION
DC TO 18 GHz

SIZE	CAGE CODE	DRAWING NUMBER	REV
C	3HT76	2003-6122-0Y	-
SCALE	5:1	SHEET	1 OF 1

TEMPLATE REV -

4 | 3 | 2 | 1