

4

3

2

1

SPECIFICATIONS

ELECTRICAL

FREQUENCY RANGE _____ DC - 26.5 GHz
 VSWR _____ SEE TABLE
 IMPEDANCE _____ 50 OHMS
 TEMPERATURE RANGE _____ -65°C TO +125°C
 POWER (AVG) _____ 1 WATT
 POWER DERATES LINEARLY FROM +45°C TO <10% @+125°C
 POWER (PEAK) _____ 500 WATTS
 (<5 μ SEC PW, <1% DUTY CYCLE)

MECHANICAL

INNER CONDUCTOR: _____ BERYLLIUM COPPER PER
 ASTM B196 & B197.
 OUTER CONDUCTOR: _____ STAINLESS STEEL, PER ASTM
 A484 & A582, CLASS 303, COND. A.
 DIELECTRIC: _____ TEFLON PER ASTM D1710.

FINISH

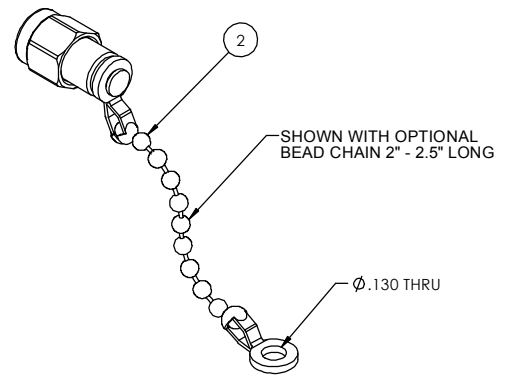
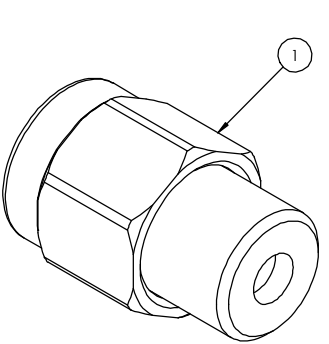
INNER CONDUCTOR: _____ GOLD PLATED PER MIL-PRF-39012.

HOUSING/COUPLING NUT FINISH PER SUFFIX (REPLACING -0X IN P/N)
 -00 OUTER CONDUCTOR/NUT GOLD PLATED
 -02 OUTER CONDUCTOR/NUT PASSIVATED SS
 -01 OUTER CONDUCTOR GOLD PLATED, NUT PASSIVATED SS

CONNECTOR INTERFACE COMPLIES WITH MIL-PRF-39012 AND MIL-STD-348
 FOR SMA MATING CHARACTERISTICS.

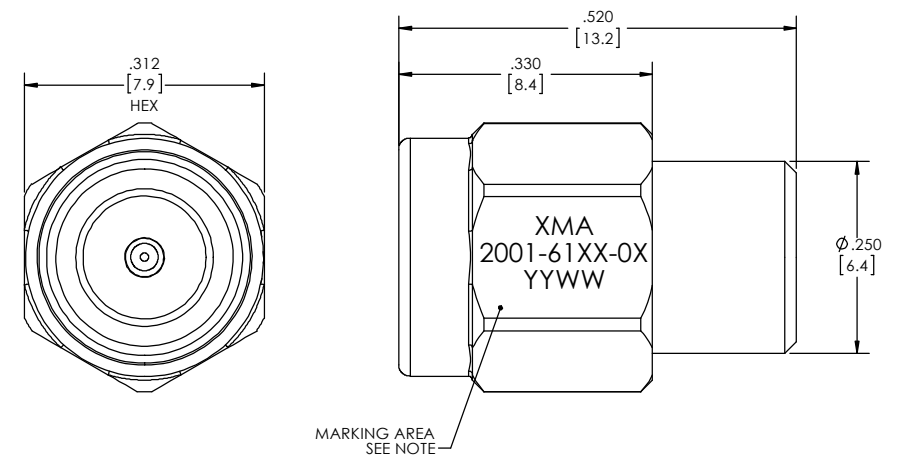
MARKING

PART LOOKS LIKE PRODUCT IMAGE ABOVE.
 PART MARKING ORIENTATION AND FORMAT AS SHOWN.
 MARKING TO BE AS LARGE AS POSSIBLE, CLEAR AND READABLE.
 YYWW EQUALS DATE CODE.
 ADD "C" TO THE END OF PART NUMBER FOR CHAINED UNITS. (EXCLUDING
 PARTS 2001-6105-0X AND 2001-6115-0X)



FREQUENCY (GHz)	VSWR DC-4 (GHz)	VSWR 4-12.4 (GHz)	VSWR 12.4-18 (GHz)	VSWR 18-26.5 (GHz)	PART NUMBER
DC-4	DC-1 1.05:1 2-4 1.10:1	-	-	-	2001-6151-0X
DC-18	1.05:1	1.05:1	1.25:1	-	2001-6116-0X
	1.05:1	1.15:1	1.15:1	-	2001-6144-0X
	1.05:1	1.15:1	1.15:1	-	2001-6105-0X *
	1.05:1	1.15:1	1.15:1	-	2001-6100-0X
	1.05:1	1.15:1	1.20:1	-	2001-61010X
	1.05:1 +0.01 f (GHz) DC - 18GHz	-	-	-	2001-6143-0X
	1.05:1	1.05:1	1.05:1	-	2001-6118-0X
	1.05:1	1.05:1	1.10:1	-	2001-6117-0X
	1.10:1	1.10:1	1.10:1	-	2001-6111-0X
DC-26.5	1.05:1	1.15:1	1.20:1	-	2001-6112-0X
	1.10:1	1.20:1	1.30:1	-	2001-6113-0X
	1.10:1	1.20:1	1.30:1	-	2001-6115-0X *
	1.05:1	1.10:1	1.20:1	1.30:1	2001-6110-0X
	1.05:1 + .007f (GHz) DC TO 26.5 GHz				2001-6119-0X

* WITH 2" TO 2.5" MONEL BEAD CHAIN



NO CHAIN	CHAIN	PART NUMBER	DESCRIPTION	ITEM NO.
		2001-61XX-0X	TERMINATION, SMA-m, DC-26.5 GHz	
1	-	TA-2001-6000-0XYYU	ASSEMBLY, TERMINATION, SMA-m, DC-26.5 GHz, UNMARKED	1
-	1	TA-2001-6000-0XYYUC	ASSEMBLY, TERMINATION, SMA-m, DC-26.5 GHz, CHAINED, UNMARKED	2

DRAWING PRACTICES PER ANSI Y14.5
 DIMENSIONS ARE IN INCHES AND APPLY BEFORE/ AFTER PROCESSING

UNLESS OTHERWISE SPECIFIED TOLERANCES IN:
 DECIMALS INCH (MM)
 X" .05" [1.27]
 .XX" .03" [.76]
 .XXX" .010" [.25]

FINISH: SEE NOTES

MATERIAL: REMOVE ALL BURRS/SHARP W/ BREAK / R OF .003" TO .0005" UNLESS OTHERWISE NOTED DIAS CONCENTRIC <.003 T.I.F.

NOTE: THIS DRAWING INCORPORATES THIRD ANGLE PROJECTION.

INTERPRET LAW ANSI Y14.5-1982

UNLESS OTHERWISE SPECIFIED TOLERANCES IN:
 DECIMALS INCH (MM)
 X" .05" [1.27]
 .XX" .03" [.76]
 .XXX" .010" [.25]

ANGLES ±10°30'

REMOVE ALL BURRS/SHARP W/ BREAK / R OF .003" TO .0005" UNLESS OTHERWISE NOTED DIAS CONCENTRIC <.003 T.I.F.

DO NOT SCALE PRINT

DRAWN DATE
 MCCORMICK 10/16/14

CHECKED DATE
 MCCORMICK 10/16/14

ENG APPR. DATE
 T.KUHN 10/16/14

THESE DRAWINGS AND SPECIFICATIONS ARE THE PROPERTY OF XMA CORP. OR OMNI SPECTRA AND SHALL NOT BE REPRODUCED, COPIED NOR USED IN WHOLE OR IN PART AS A BASIS FOR THE MANUFACTURE OR SALE OF OTHER ITEMS WITHOUT THE EXPRESS WRITTEN PERMISSION OF XMA CORP.

Phone: 603-222-2256 Fax: 603-222-2259
 150 Dow Street, Manchester, NH 03103

TERMINATION, SMA-m, DC-26.5 GHz

SIZE	CAGE CODE	DRAWING NUMBER	REV
C	3HT76	2001-61XX-0X	J

SCALE: PLATED AREA 50 IN SHEET 1 OF 1

4

3

2

1