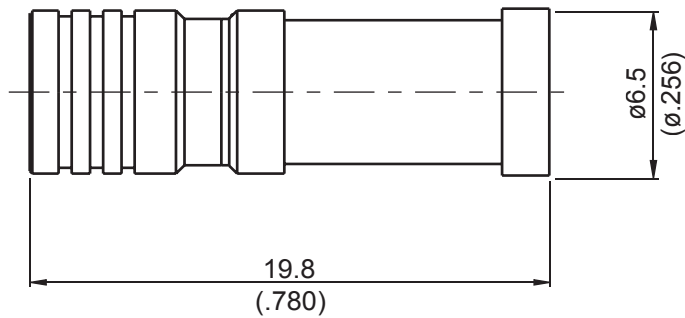


SMB3900-0006

SMB Plug Terminator Up To 4 GHZ 50Ω



NOTE: 2W AVERAGE POWER;VSWR≤1.2 UP TO 4 GHZ

Parts	Material	Plating (Micro-inch)
Renbrock Ring	Beryllium Copper	Tin-Zinc-Copper-Alloy 100 Over Copper 50
Contact Body	Brass	Gold 5 Over Nickel 50 Over Copper 50
Contact Pin	Phosphor Bronze	Gold 20 Over Nickel 50 Over Copper 50
Insulator	Teflon	
Body	Brass	Gold 5 Over Nickel 50 Over Copper 50
Coupling Nut	Brass	Gold 5 Over Nickel 50 Over Copper 50

Weight: 3.15 g

This part number complies with RoHS.

Notice: JYEBAO reserves the right to make modifications deemed appropriate.