



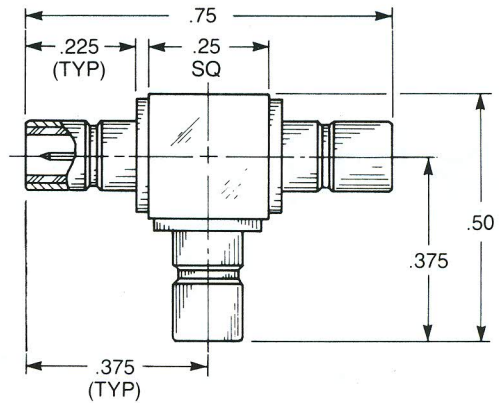
RESISTIVE TERMINATIONS

**Tee Adapter  
(Unmatched Power Divider)  
Jack To Jack To Jack**

- Connects three plugs

5207-1501-000 (Gold plated)

5207-7501-000 (Nickel plated)

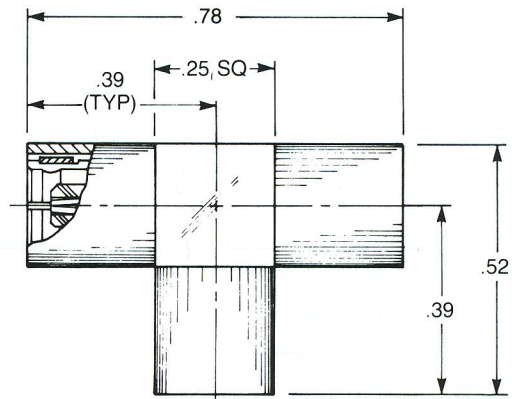


**Tee Adapter  
(Unmatched Power Divider)  
Plug To Plug To Plug**

- Connects three jacks

5208-1501-000 (Gold plated)

5208-7501-000 (Nickel plated)



**Female Plug  
Resistive Termination**

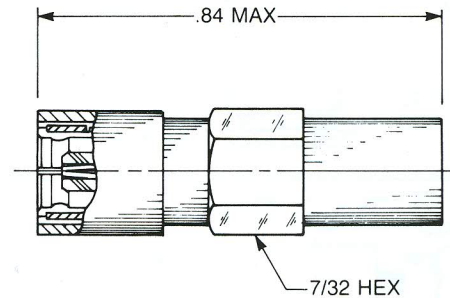
(Dummy load)

Standard resistor:  
51 ohm, 1/2 watt,  
5% tolerance

2036-1511-051 (Gold plated)

2036-7511-051 (Nickel plated)

Available with other resistances.



**Male Jack  
Resistive Termination**

(Dummy load)

Standard resistor:  
51 ohm, 1/2 watt,  
5% tolerance

2037-1511-051 (Gold plated)

2037-7511-051 (Nickel plated)

Available with other resistances

