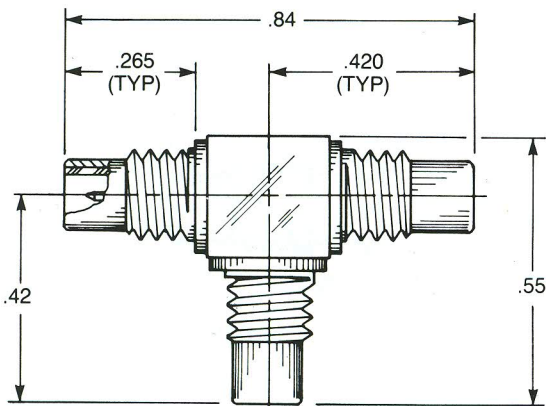




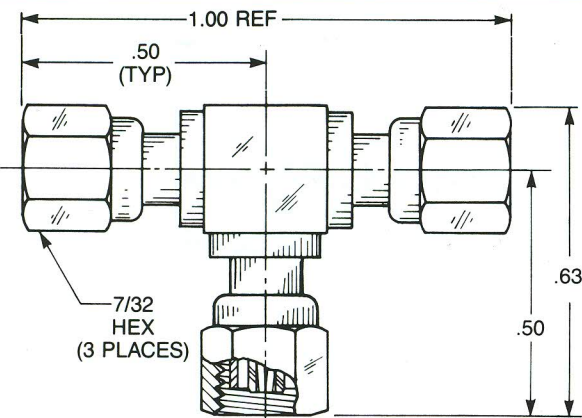
RESISTIVE TERMINATIONS



**Tee Adapter
(Unmatched Power Divider)
Jack To Jack To Jack**

- Connects three plugs

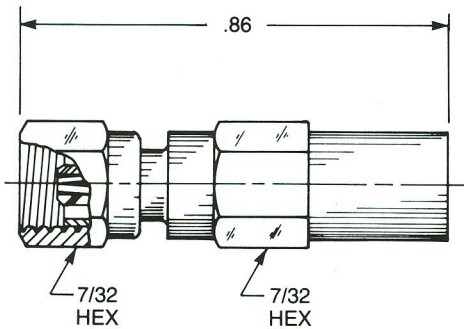
5807-1501-000 (Gold plated)
5807-7501-000 (Nickel plated)



**Tee Adapter
(Unmatched Power Divider)
Plug To Plug To Plug**

- Connects three jacks

5808-1501-000 (Gold plated)
5808-7501-000 (Nickel plated)



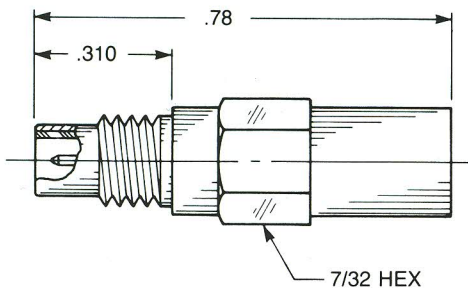
**Female Plug
Resistive Termination**

(Dummy load)

Standard resistor:
51 ohm, 1/2 watt,
5% tolerance

1036-1511-051 (Gold plated)
1036-7511-051 (Nickel plated)

Available with other resistances



**Male Jack
Resistive Termination**

(Dummy load)

Standard resistor:
51 ohm, 1/2 watt,
5% tolerance

1037-1511-051 (Gold plated)
1037-7511-051 (Nickel plated)

Available with other resistances

