

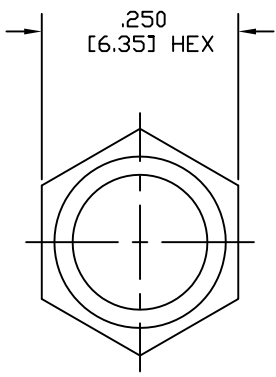
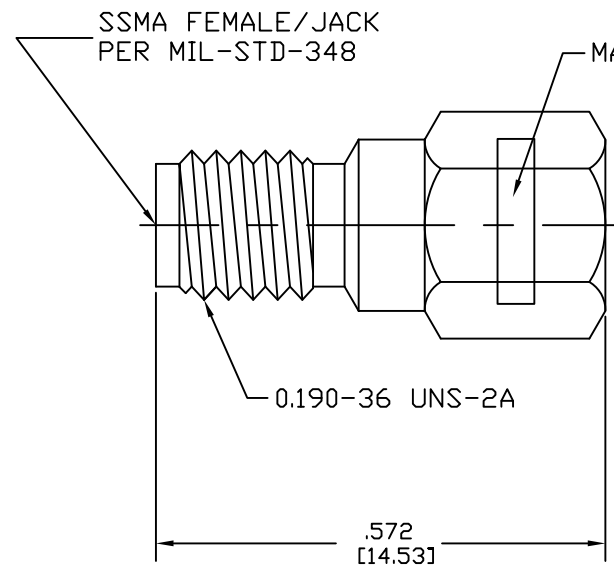
**PRODUCTION  
RELEASE**

NOTE:  
THIS DRAWING INCORPORATES  
THIRD ANGLE PROJECTION.  
INTERPRET IAW ANSI Y14.5-1996

REVISIONS			
REV	DESCRIPTION	DATE	APPROVED
-	RELEASED	8/10/11	T. KUHN

**ELECTRICAL**

FREQUENCY RANGE _____	DC - 18 GHz
VSWR _____	
DC - 4 GHz _____	1.10:1 MAX.
4 - 12.4 GHz _____	1.15:1 MAX.
12.4 - 18 GHz _____	1.25:1 MAX.
POWER _____	
AVG. _____	1 WATT @ 25°C
	DERATES LINEARLY TO 0% @ 125°C
PEAK _____	500 WATTS
	5 uS PW, .01% DC
IMPEDANCE _____	50 OHMS
OPERATING TEMP RANGE _____	-55°C TO +125°C



**MECHANICAL**

SSMA CONNECTOR - FEMALE/JACK	(IAW MIL-PRF-39012 & MIL-STD-348)
CONTACTS _____	GOLD PLATED BERYLLIUM COPPER
CONNECTOR HOUSING _____	STAINLESS STEEL
	-XX = 00 FOR GOLD PLATED FINISH
	-XX = 02 FOR PASSIVATED FINISH
INSULATOR _____	TEFLON

<small>DRAWING PRACTICES PER ANSI-Y-14.5 MIL-STD-100 &amp; 1000</small>	<small>UNLESS OTHERWISE SPECIFIED TOLERANCES ON</small>	<small>DRAWN T. KUHN</small>	<small>DATE 8/10/11</small>
<small>DIMENSIONS ARE IN INCHES AND APPLY BEFORE/AFTER PROCESSING</small>	<small>DECIMALS .05" [.76]</small>	<small>CHECKED</small>	<small>DATE</small>
<small>SURFACE ROUGHNESS</small>	<small>.XX" .030" [.25]</small>	<small>ENG. T. KUHN</small>	<small>DATE 8/10/11</small>
<small>FINISH</small>	<small>.XXX" .015 [.127]</small>	<small>THESE DRAWINGS AND SPECIFICATIONS ARE THE PROPERTY OF XMA CORP / OMNI SPECTRA AND SHALL NOT BE REPRODUCED, COPIED NOR USED- IN WHOLE OR IN PART - AS A BASIS FOR THE DESIGN, MANUFACTURE OR SALE OF OTHER ITEMS WITHOUT THE EXPRESS WRITTEN PERMISSION OF XMA CORP. CUSTOMERS AND VANDORS MAY COPY FOR INTERNAL REVIEW/USE AS NEEDED</small>	
<small>MATERIAL</small>	<small>UNLESS OTHERWISE NOTED DIAS CONCENTRIC &lt;.003 T.I.R.</small>	<small>SIZE C</small>	<small>CAGE CODE 3HT76</small>
<small>SEE NOTES</small>		<small>DWG NO. 1002-6113-XX</small>	<small>SCALE 8:1</small>
<small>SEE NOTES</small>		<small>PLATING AREA SQUARE INCHES</small>	<small>XXX</small>

WWW.XMACorp.com Sales@XMACorp.com

**XMA** Powered by **Omni Spectra®**

XMA Corp. 150 Dow St. Manchester, NH 03045 (603) 222-2256 fax 222-2259

**TERMINATION, SSMA, FEMALE/JACK,  
DC - 18 GHz, 1 WATT**

SCALE 8:1 PLATING AREA SQUARE INCHES XXX SHEET 1 OF 1