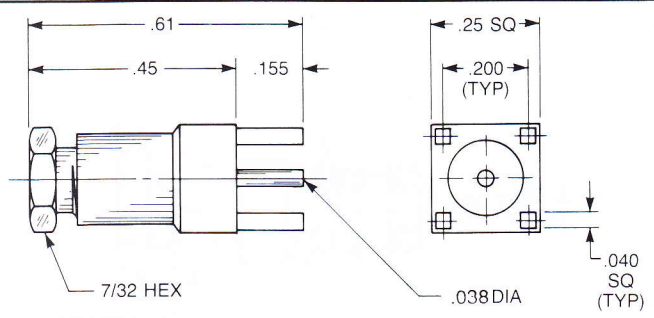


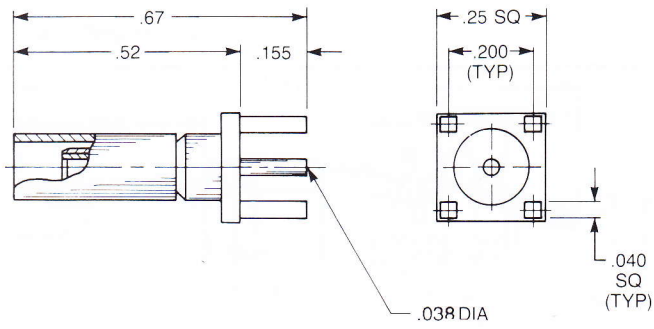
CABLE terminations



Straight P.C. Board Cable Termination

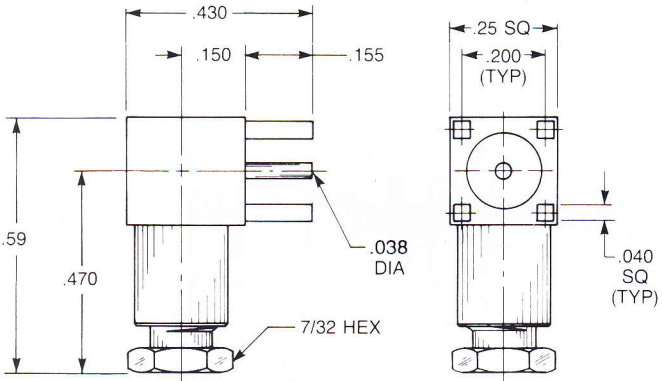
Clamp type for flexible cable:
8046-1551-0XX (Gold plated)
8046-7551-0XX (Nickel plated)

Solder-clamp for semi-rigid cable:
8046-1541-0XX (Gold plated)
8046-7541-0XX (Nickel plated)



Straight P.C. Board Cable Termination

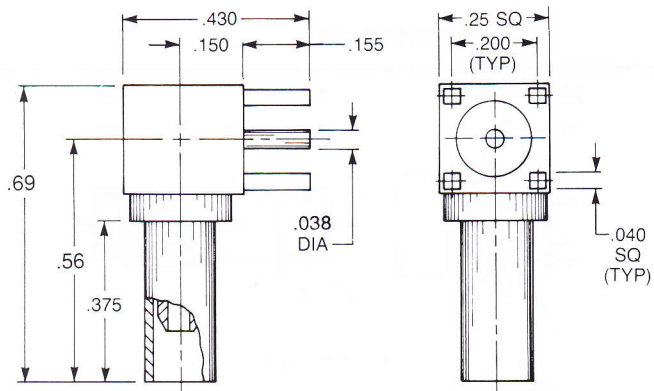
Crimp type for flexible cable:
8146-1521-0XX (Gold plated)
8146-7521-0XX (Nickel plated)



Right Angle P.C. Board Cable Termination

Clamp type for flexible cable:
8045-1551-0XX (Gold plated)
8045-7551-0XX (Nickel plated)

Solder-clamp for semi-rigid cable:
8045-1541-0XX (Gold plated)
8045-7541-0XX (Nickel plated)



Right Angle P.C. Board Cable Termination

Crimp type for flexible cable:
8145-1521-0XX (Gold plated)
8145-7521-0XX (Nickel plated)

Substitute the appropriate cable group for 'XX':

02	RG178, RG196, M17/93, M17/169	09	.141" semi-rigid, RG402, M17/130
03	RG174, RG179, RG316, M17/113, M17/119, M17/172, M17/173	10	.085" semi-rigid, RG405, M17/133
05	RG178DS, RG196DS	19	RG174DS, RG316DS, M17/152, Times RD316