

5

4

3

2

1

# SPECIFICATIONS

## ELECTRICAL

FREQUENCY RANGE \_\_\_\_\_ DC TO 12.4 GHz

VSWR (MAX) \_\_\_\_\_ DC-4 GHz \_\_\_\_\_ 1.15  
4-12.4 GHz \_\_\_\_\_ 1.20

POWER \_\_\_\_\_ 2 WATTS (AVG)  
500 WATTS  
(PEAK) 5 μs PULSE W, 0.05% DUTY CYCLE

IMPEDANCE \_\_\_\_\_ 50 OHMS

## MECHANICAL

OPERATING TEMP RANGE -55°C TO +125°C

WEIGHT MAX. \_\_\_\_\_ .81oz.

## MATERIAL

OUTER CONDUCTOR: STAINLESS STEEL NON MAGNETIC, PASSIVATED FINISH.

CENTER CONDUCTOR: BERYLLIUM COPPER, GOLD PLATED FINISH

DIELECTRIC: TEFLON

HEAT SINK: ALUMINIUM ALLOY, BLACK ANNOXIDIZED FINISH.

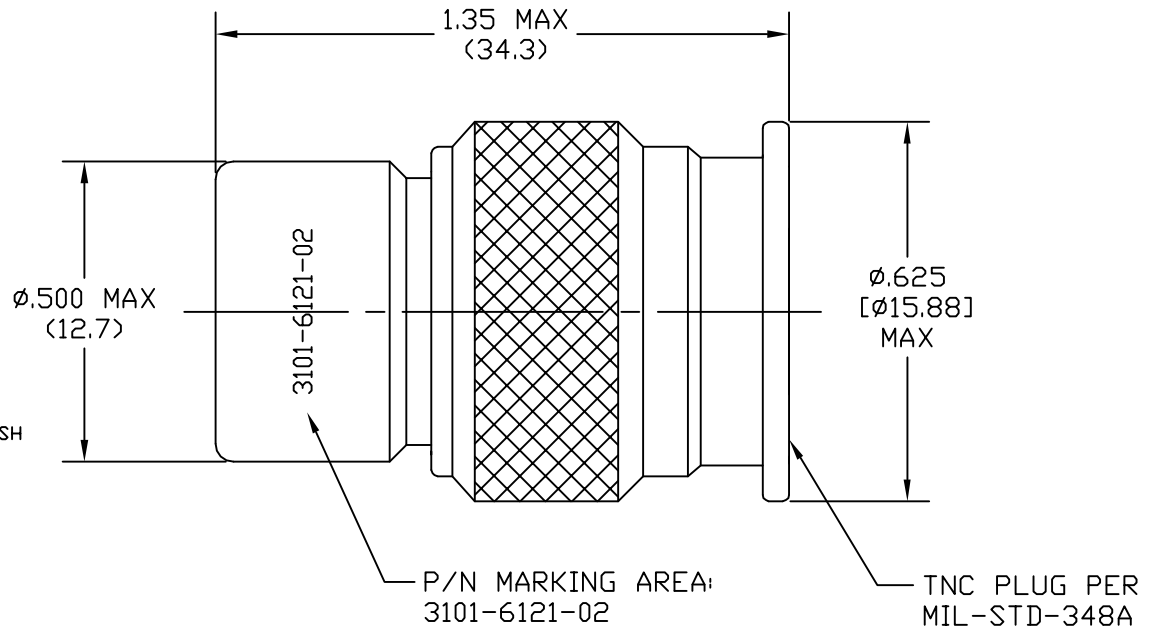
MATERIALS & FINISHES TYPICALLY MIL-PRF-39012

**PRODUCTION  
RELEASE**

NOTE:  
THIS DRAWING INCORPORATES  
THIRD ANGLE PROJECTION.  
INTERPRET IAW ANSI Y14.5-1992

### REVISIONS

LTR	DESCRIPTION	DATE	APPROVED
-	INITIATED NEW DRAWING	10/01/10	A.K.G



D

D

C

C

B

B

A

A

5

4

3

2

1

<b>DRAWING PRACTICES PER ANSI-Y-14.5 MIL-STD-673-200 &amp; 1000</b>	<b>UNLESS OTHERWISE SPECIFIED TOLERANCES IN:</b>	<b>DRAWN</b> T. MAIN	<b>DATE</b> 10/01/2010
DIMENSIONS ARE IN INCHES AND APPLY BEFORE/AFTER PROCESSING	DECIMALS INCH MM	CHECKED	DATE
<b>SURFACE ROUGHNESS</b> 63 ✓	.X" .03" [.76] .XX" .010" [.25] .XXX" .005" [.127] .XXXX" .0005" [.013]	<b>ENG.</b> D. SAUNDERS	<b>DATE</b> 10/01/2010
<b>FINISH</b> SEE NOTES	ANGLES ±0°30'	THESE DRAWINGS AND SPECIFICATIONS ARE THE PROPERTY OF XMA CORP. OR OMNI SPECTRA AND SHALL NOT BE REPRODUCED, COPIED NOR USED - IN WHOLE OR IN PART - AS A BASIS FOR THE MANUFACTURE OR SALE OF OTHER ITEMS WITHOUT THE EXPRESS WRITTEN PERMISSION OF XMA CORP.	
<b>MATERIAL</b> SEE NOTES	REMOVE ALL BURRS/SHARP W/ BREAK / R OF .003" TO .0005" UNLESS OTHERWISE NOTED. DIAS CONCENTRIC <.003 T.I.R.		

NO.

150 Dow Street, Manchester, NH 03101  
P:603-222-2256 F:603-222-2259

TITLE  
**TNC PLUG TERMINATION**

<b>SIZE</b> B	<b>CAGE CODE</b> 3HT76	<b>DRAWING NUMBER</b> 3101-6121-02
<b>SCALE</b> 5:1	<b>DATE</b> XXX	<b>SHEET</b> 1 OF 1

BCSI

BCSI