

# ELECTRICAL SPECIFICATIONS

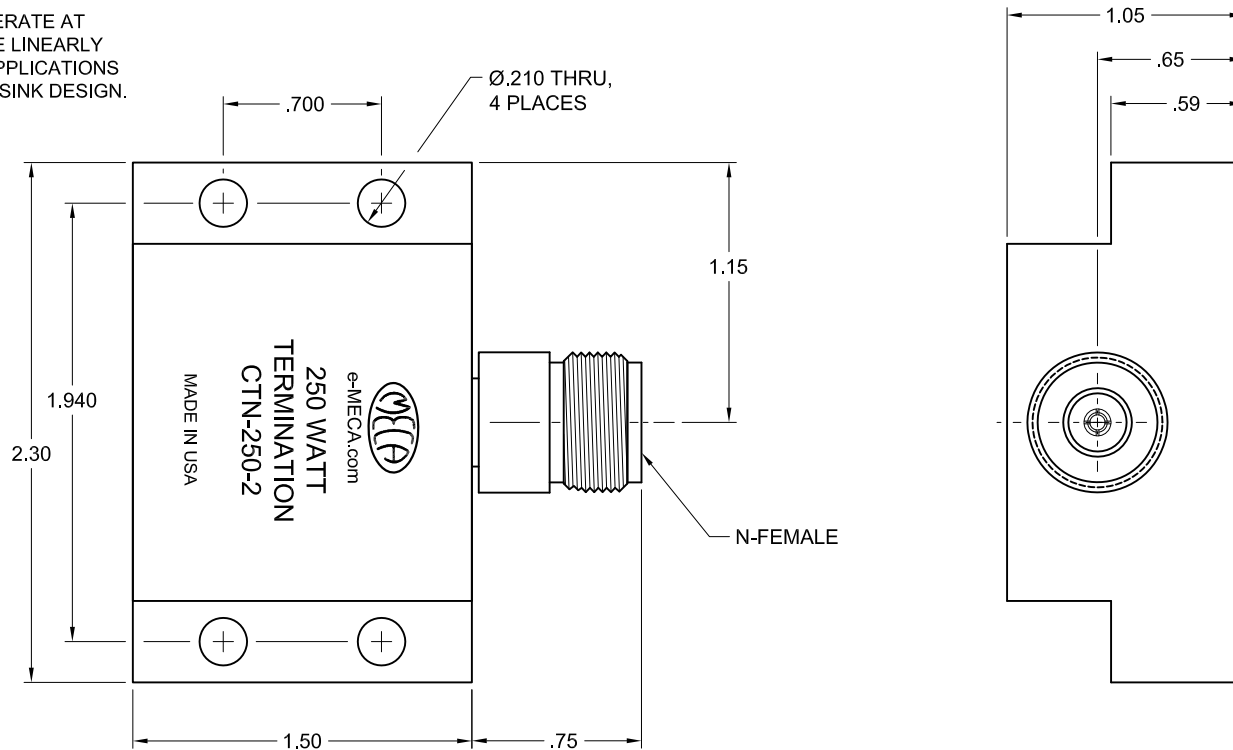
# MECHANICAL SPECIFICATIONS


FREQUENCY:	DC - 3.000 GHz
IMPEDANCE (NOM):	50 OHMS
VSWR (MAX):	
DC - 0.500 GHz:	1.10 : 1
0.500 - 1.500 GHz:	1.20 : 1
1.500 - 2.500 GHz:	1.30 : 1
2.500 - 3.000 GHz:	1.45 : 1
POWER (AVG):	* 250 WATTS
(PEAK):	** 2,000 WATTS

CONNECTOR:	N-FEMALE, BRASS, ALBALOY
CONTACT PIN:	BERYLLIUM COPPER, GOLD PLATE
HOUSING:	COPPER, ALBALOY
INSULATOR:	PTFE, VIRGIN ELECTRICAL GRADE
OPERATING TEMPERATURE:	-55°C TO +85°C
WEIGHT:	12.0 oz.

\* WHEN PROPERLY HEAT SUNK, UNIT WILL OPERATE AT FULL-RATED POWER UP TO 25°C AND DERATE LINEARLY TO 0 AT 150°C. PLEASE CONSULT WITH AN APPLICATIONS ENGINEER FOR APP NOTE ON PROPER HEAT SINK DESIGN.

\*\* 100 μsec PULSE, 1% DUTY CYCLE .



F		SEE DCN # 120306-3	03/09/12	NL	RR	MATERIAL: SEE ABOVE	UNLESS OTHERWISE SPECIFIED, DIMENSIONS ARE IN INCHES	 <b>ELECTRONICS, INC.</b> DENVER, NEW JERSEY e-MECA.com				
E		SEE DCN # 081211-3	02/19/08	NL	RR				FINISH: SEE ABOVE	TOLERANCES 2 PLACES: ±.02 3 PLACES: ±.010 ANGLES: N/A	TITLE TERMINATION, 50 OHMS, 250 WATTS, TYPE N-FEMALE	
LTR	PG	DESCRIPTION	DATE	DR	APP	DRAWN: GQ	DATE: 06/05/07	TIR: N/A				
						APPROVED: RR	DATE: 06/05/07	SCALE: NTS	SIZE A	CAGE CODE NO. 22424	DRAWING NO. CTN-250-2	REV F