

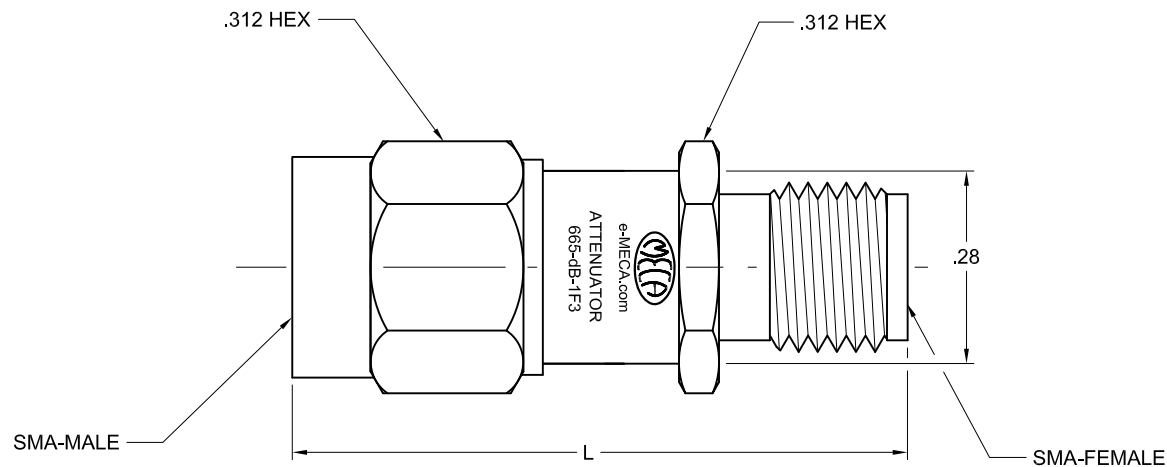
ELECTRICAL SPECIFICATIONS

FREQUENCY RANGE (GHz):	Hz-6.000
IMPEDANCE (NOMINAL):	50 Ohms
ATTENUATION (dB):	3, 6, 10 ± 0.50 dB 20 ± 0.70 dB 30 ± 0.90 dB 40 ± 1.50 dB
VSWR MAX:	1.20:1
POWER RATING: AVG:	2 WATTS (5 μSEC PULSE, 0.05% DUTY CYCLE)
PEAK:	250 WATTS


MECHANICAL SPECIFICATIONS

CONNECTORS:	SMA-FEMALE, STAINLESS STEEL, PASSIVATED SMA-MALE, STAINLESS STEEL, PASSIVATED
CONNECTOR PINS:	BERYLLIUM COPPER, GOLD PLATE
HOUSING:	STAINLESS STEEL, PASSIVATED
INSULATORS:	PTFE, VIRGIN ELECTRICAL GRADE
OPERATING TEMPERATURE:	-55°C TO +85°C

ATTENUATION (dB)	L ± .03	WEIGHT (OUNCES)
3, 6, 10, 20	.86	0.2
30 & 40	.97	0.2



NOTE: To specify Part Number, insert nominal attenuation value in place of dB, i.e., 665-06-1F3 for 6 dB.

B		SEE DCN #100128-1	01/28/10	RP	RR	MATERIAL: SEE ABOVE	UNLESS OTHERWISE SPECIFIED, DIMENSIONS ARE IN INCHES	 ELECTRONICS, INC. DENVER, NEW JERSEY e-meca.com				
A		NEW	02/26/09	AC	RR	FINISH: SEE ABOVE	TOLERANCES 2 PLACES: ±.02 3 PLACES: ±.010 ANGLES: N/A		TITLE ATTENUATOR, COAXIAL, FIXED, 50 OHMS, 2 WATTS, SMA-MALE/FEMALE			
LTR	PG	DESCRIPTION	DATE	DR	APP	DRAWN: AC	DATE: 02/26/09	TIR: N/A				
						APPROVED: RR	DATE: 02/26/09	SCALE: NTS	SIZE A	CODE IDENT. NO. 22424	DRAWING NO. 665-dB-1F3	REV B