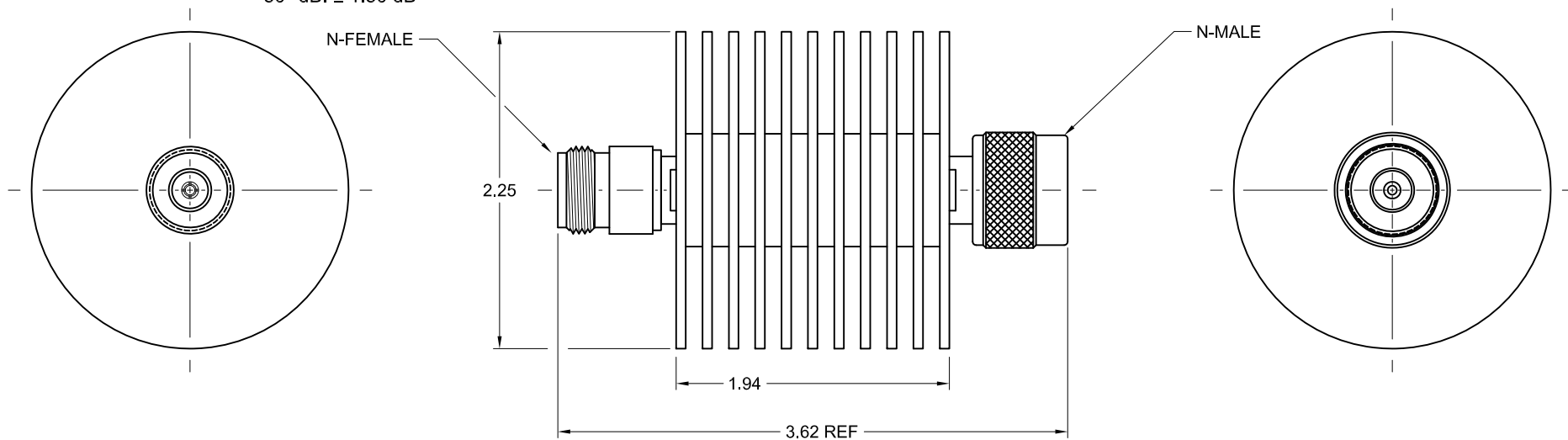


ELECTRICAL SPECIFICATIONS

FREQUENCY RANGE: Hz - 4.0 GHz
 VSWR (MAX): Hz - 1.0 GHz: 1.15: 1
 1.0 - 4.0 GHz: 1.35: 1
 IMPEDANCE (NOM): 50 OHMS
 INPUT POWER (AVG): 50 WATTS @ +25°C
 DERATES LINEARLY TO
 15 WATTS @ +85°C
 POWER (PEAK): 1000 WATTS
 (1 μSEC PULSE, 5% DUTY CYCLE)
 ATTENUATION ACCURACY:
 Hz - 1.0 GHz: 3, 6, 10 & 20 dB: ± 0.25 dB
 30 dB: ± 0.50 dB
 40 dB: ± 0.60 dB
 50 dB: ± 1.00 dB
 1.0 - 4.0 GHz: 3, 6, 10 & 20 dB: ± 0.50 dB
 30 dB: ± 0.75 dB
 40* dB: ± 1.20 dB
 50* dB: ± 1.50 dB


MECHANICAL SPECIFICATIONS

CONNECTORS: BRASS, NICKEL PLATE
 PIN, FEMALE: BERYLLIUM COPPER, GOLD PLATE
 PIN, MALE: BRASS, GOLD PLATE
 HOUSING: ALUMINUM, BLACK ANODIZE
 INSULATORS: PTFE, VIRGIN ELECTRICAL GRADE
 TEMPERATURE: -55°C TO +85°C
 WEIGHT: 6.3 oz.



NOTE: To specify Part Number, insert nominal attenuation value in place of dB, i.e., 650-10-1F4 for 10 dB.

*40dB and 50 dB SPEC TO 3 GHz ONLY

F	SEE DCN #110816-1	08/17/11	M.O.C.	RR	MATERIAL: SEE ABOVE	UNLESS OTHERWISE SPECIFIED, DIMENSIONS ARE IN INCHES	 ELECTRONICS, INC. DENVER, NEW JERSEY e-MECA.com					
E	SEE DCN #101021-1	10/21/10	DB	RR								
D	SEE DCN #100622-2	06/23/10	DB	RR	FINISH: SEE ABOVE	TOLERANCES 2 PLACES: ±.02 3 PLACES: N/A ANGLES: N/A	TITLE ATTENUATOR, COAXIAL, FIXED, 50 OHMS, 50 WATTS, TYPE-N					
C	SEE DCN # 091217-1	12/17/09	RP	RR								
B	SEE DCN # 071119-2	11/20/07	GQ	RR	DRAWN: AI	DATE: 09/12/05	TIR: .002					
LTR	PG	DESCRIPTION	DATE	DR	APP	APPROVED: JL	DATE: 09/12/05	SCALE: NTS	SIZE A	CODE IDENT. NO. 22424	DRAWING NO. 650-dB-1F4	REV F