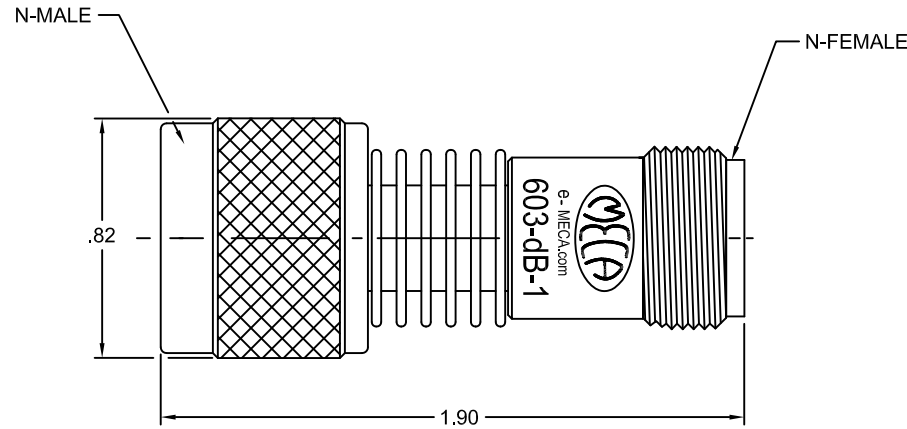


# ELECTRICAL SPECIFICATIONS


FREQUENCY RANGE (GHz):	Hz - 6.0
IMPEDANCE (NOMINAL):	50 Ohms
VSWR (MAX):	Hz-4.0 GHz 1.15:1 4.0-6.0 GHz 1.20:1
ATTENUATION:	3, 6 dB: ± 0.30 dB 10, 20 dB: ± 0.50 dB 30 dB: ± 0.75 dB 40 dB: ± 1.50 dB
INPUT POWER (AVG):	5 WATTS @ +25°C DERATED LINEARLY TO 2.5 WATTS @ +85°C
POWER (PEAK):	125 WATTS (5 μSEC PULSE, 0.05% DUTY CYCLE)

# MECHANICAL SPECIFICATIONS

CONNECTORS:	TYPE-N, STAINLESS STEEL, PASSIVATE
CONTACT PINS:	
N-MALE:	BERYLLIUM COPPER, GOLD PLATE
N-FEMALE:	BERYLLIUM COPPER, GOLD PLATE
HOUSING:	ALUMINUM, BLACK ANODIZE
INSULATORS:	PTFE, VIRGIN ELECTRICAL GRADE
OPERATING TEMPERATURE RANGE:	-55°C TO +85°C
WEIGHT:	1.7 oz



NOTE: To specify Part Number, insert nominal attenuation value in place of dB, i.e., 603-06-1 for 6 dB.

						MATERIAL: SEE ABOVE	UNLESS OTHERWISE SPECIFIED, DIMENSIONS ARE IN INCHES			ELECTRONICS, INC. DENVER, NEW JERSEY e-MECA.com			
						FINISH: SEE ABOVE	TOLERANCES 2 PLACES: ±.01 3 PLACES: N/A ANGLES: N/A			TITLE ATTENUATOR 50 Ohms, 5 WATTS TYPE - N			
D		SEE DCN #100622-2	06/23/10	DB	RR	DRAWN: NL	DATE: 09/12/05	TIR: .002	SCALE: NTS	SIZE A	CODE IDENT. NO. 22424	DRAWING NO. 603-dB-1	REV D
C		SEE DCN # 100618-1	06/21/10	DB	RR		APPROVED: JL	DATE: 09/12/05					
B		SEE DCN # 080808-3	08/18/08	AC	RR								
LTR	PG	DESCRIPTION	DATE	DR	APP								