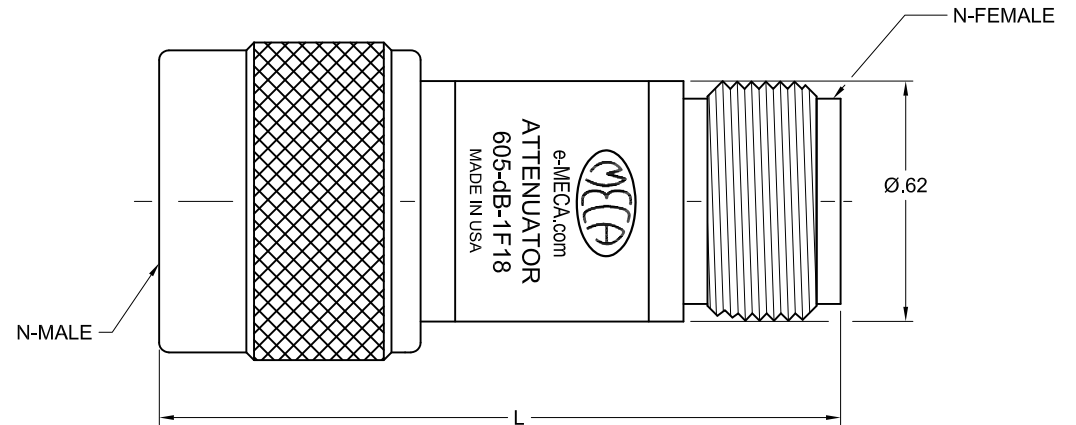


# ELECTRICAL SPECIFICATIONS

FREQUENCY RANGE (GHz): Hz - 18.0  
 IMPEDANCE (NOMINAL): 50 OHMS  
 VSWR (MAX): Hz - 4.0 GHz : 1.15:1  
 4.0 - 8.0 GHz : 1.25:1  
 8.0 -12.4 GHz : 1.30:1  
 12.4 -18.0 GHz : 1.40:1  
 ATTENUATION ACCURACY: 3, 6 dB: ± 0.50 dB  
 10, 20 dB: ± 0.75 dB  
 30 dB: ± 1.00 dB  
 40, 50 & 60 dB: ± 1.50 dB  
 INPUT POWER: 2 WATTS AVG. @ +25°C  
 DERATED LINEARLY TO 1.0 WATT @ +85°C  
 PEAK POWER: 250 WATTS MAX.  
 (5 µSEC PULSE, .05% DUTY CYCLE)


# MECHANICAL SPECIFICATIONS

CONNECTORS: TYPE-N, STAINLESS STEEL, PASSIVATE  
 CONNECTOR PINS: BERYLLIUM COPPER, GOLD PLATE  
 CONNECTOR INTERFACE TORQUE: 12 ± 1 IN-LBS  
 INSULATORS: PTFE  
 TEMPERATURE: -65°C TO +85°C  
 WEIGHT (NOMINAL): 2.1 OZ



ATTENUATION (dB)	LENGTH "L" (INCHES)
3, 6, 10, 20, 30 & 40	1.76
50 & 60	2.04

NOTE: To specify Part Number, insert nominal attenuation value in place of dB, i.e., 605-06-1F18 for 6 dB.

E		SEE DCN #170328	03/28/17	NL	RR	MATERIAL: SEE ABOVE		UNLESS OTHERWISE SPECIFIED, DIMENSIONS ARE IN INCHES		 <b>ELECTRONICS, INC.</b> DENVER, NEW JERSEY e-MECA.com	TITLE ATTENUATOR, 2 WATTS TYPE - N		
D		SEE DCN #100622-2	06/23/10	DB	RR	FINISH: SEE ABOVE		TOLERANCES 2 PLACES: ±.03 3 PLACES: N/A ANGLES: N/A					
C		SEE DCN # 071119-4	11/21/07	GQ	RR	DRAWN: NL	DATE: 10/26/04	TIR: N/A		CAGE CODE NO. 22424	DRAWING NO. 605-dB-1F18	REV E	
LTR	PG	DESCRIPTION	DATE	DR	APP	APPROVED: EMM	DATE: 10/29/04	SCALE: NTS	SIZE A				
											SHEET: 1 OF 1		