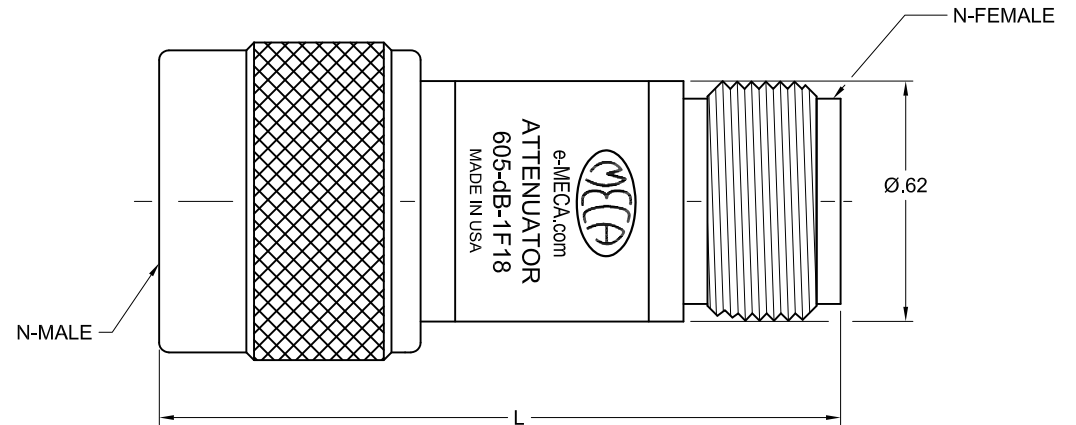


ELECTRICAL SPECIFICATIONS

FREQUENCY RANGE (GHz): Hz - 18.0
 IMPEDANCE (NOMINAL): 50 OHMS
 VSWR (MAX): Hz - 4.0 GHz : 1.15:1
 4.0 - 8.0 GHz : 1.25:1
 8.0 -12.4 GHz : 1.30:1
 12.4 -18.0 GHz : 1.40:1
 ATTENUATION ACCURACY: 3, 6 dB: ± 0.50 dB
 10, 20 dB: ± 0.75 dB
 30 dB: ± 1.00 dB
 40, 50 & 60 dB: ± 1.50 dB
 INPUT POWER: 2 WATTS AVG. @ +25°C
 DERATED LINEARLY TO 1.0 WATT @ +85°C
 PEAK POWER: 250 WATTS MAX.
 (5 μSEC PULSE, .05% DUTY CYCLE)


MECHANICAL SPECIFICATIONS

CONNECTORS: TYPE-N, STAINLESS STEEL, PASSIVATE
 CONNECTOR PINS: BERYLLIUM COPPER, GOLD PLATE
 CONNECTOR INTERFACE TORQUE: 12 ± 1 IN-LBS
 INSULATORS: PTFE
 TEMPERATURE: -65°C TO +85°C
 WEIGHT (NOMINAL): 2.1 OZ



ATTENUATION (dB)	LENGTH "L" (INCHES)
3, 6, 10, 20, 30 & 40	1.76
50 & 60	2.04

NOTE: To specify Part Number, insert nominal attenuation value in place of dB, i.e., 605-06-1F18 for 6 dB.

E	SEE DCN #170328	03/28/17	NL	RR	MATERIAL: SEE ABOVE	UNLESS OTHERWISE SPECIFIED, DIMENSIONS ARE IN INCHES	 ELECTRONICS, INC. DENVER, NEW JERSEY e-MECA.com					
D	SEE DCN #100622-2	06/23/10	DB	RR	FINISH: SEE ABOVE	TOLERANCES 2 PLACES: ±.03 3 PLACES: N/A ANGLES: N/A						
C	SEE DCN # 071119-4	11/21/07	GQ	RR	DRAWN: NL	DATE: 10/26/04	TIR: N/A					
LTR	PG	DESCRIPTION	DATE	DR	APP	APPROVED: EMM	DATE: 10/29/04	SCALE: NTS	SIZE A	CAGE CODE NO. 22424	DRAWING NO. 605-dB-1F18	REV E