

REVISIONS				
REV	DESCRIPTION	ECD #	DATE	APPROVED
H	ADDED -DF TO ORDERING INFORMATION		9/4/12	T. KUHN
J	DELETED 2082-601X-XX, 2082-602X-XX INFO; REDRAWN	13-254	10/21/13	T. KUHN

ELECTRICAL

FREQUENCY RANGE _____ DC-18GHz

ATTENUATION ACCURACY _____ 0-6 dB _____ ± 0.30
 _____ 7-20 dB _____ ± 0.50
 _____ 21-30 dB _____ ± 0.75
 _____ 40 dB _____ ± 1.00

VSWR
 DC - 4 GHz _____ 1.15:1 MAX
 4 - 12.4 GHz _____ 1.25:1 MAX
 12.4 - 18 GHz _____ 1.35:1 MAX

POWER (AVG): _____ 2 WATTS
 DERATE FROM 25°C to 10% @ 125°

POWER (PEAK): _____ 500 WATTS
 At 5µ Second Pulse Width & 0.1% Duty Cycle

IMPEDANCE _____ 50 OHMS

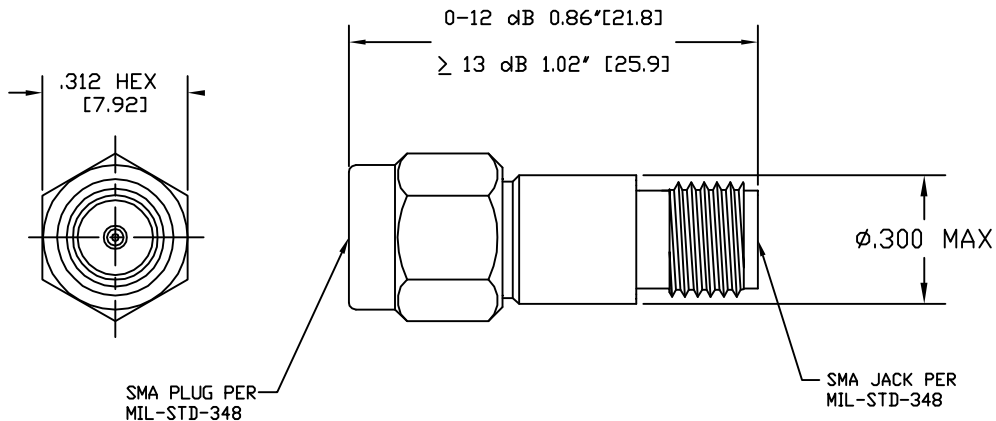
OPERATING TEMP RANGE _____ -65°C TO +125°C

MECHANICAL

SMA CONNECTOR _____
 HOUSING _____ PASSIVATED STAINLESS STEEL
 CENTER CONTACT _____ GOLD PLATED BERYLLIUM COPPER
 RESISTIVE ELEMENT _THIN FILM HYBRID ON 99.6% ALUMINA SUBSTRATE

CONNECTOR
 INTERFACE IAW MIL-STD-348 & MIL-PRF-39012

MATERIALS, FINISHES AND ENVIRONMENTAL CAPABILITIES
 DESIGNED TO MEET MIL-DTL-3933





ORDERING INFORMATION	
dB VALUES 2082:	1 dB Steps, 18 GHz 2082:
-00/-03 = 0 thru 3 dB	-6040-00 thru 03
-04/-06 = 4 thru 6 dB	-6041-04 thru 06
-07/-10 = 7 thru 10 dB	-6042-07 thru 10
-11/-12 = 11 and 12 dB	-6043-11 and 12
-13/-20 = 13 thru 20 dB	-6043-13 thru 20
-25, -30, and -40 dB	-6044-25, -30, or -40

FOR DFAR SPECIALTY COMPLIANT VERISONS,
 ADD "-DF" TO PART NUMBER.

<small>DRAWING PRACTICES PER ANSI-Y14.5 MIL-STD-20 & 1399 DIMENSIONS ARE IN INCHES AND APPLY BEFORE/AFTER PROCESSING</small>	<small>UNLESS OTHERWISE SPECIFIED TOLERANCES IN: DECIMALS INCH DIM</small>	<small>DRAWN V. SHELBY CHECKED T. KUHN ENG APPR. T. KUHN</small>	<small>DATE 10/21/13 DATE 10/21/13 DATE 10/21/13</small>
<small>SURFACE FINISH 63 ✓ SEE NOTES</small>	<small>ANGLES ±0°30' REMOVE ALL BURRS/SHARP W/ BREAK / R OF .003" TO .0005" UNLESS OTHERWISE NOTED. DIAS CONCENTRIC <.003 T.I.R. DO NOT SCALE PRINT</small>	<small>THESE DRAWINGS AND SPECIFICATIONS ARE THE PROPERTY OF XMA CORP. OR OMNI SPECTRA AND SHALL NOT BE REPRODUCED, COPIED NOR USED - IN WHOLE OR IN PART - AS A BASIS FOR THE MANUFACTURE OR SALE OF OTHER ITEMS WITHOUT THE EXPRESS WRITTEN PERMISSION OF XMA CORP.</small>	
<small>THIS DRAWING INCORPORATES THIRD ANGLE PROJECTION</small>	<small>INTERPRET IAW ANSI Y14.5-1998</small>	<small>SCALE 5:1 PLATED AREA SH. IN XXX</small>	<small>DRAWING NUMBER 2082-604X-dB SHEET 1 OF 1</small>

<small>DATE 10/21/13</small>	<small>DATE 10/21/13</small>
<small>DATE 10/21/13</small>	<small>DATE 10/21/13</small>

<small>DATE 10/21/13</small>	<small>DATE 10/21/13</small>
<small>DATE 10/21/13</small>	<small>DATE 10/21/13</small>


 Powered by: 
 Phone: 603-222-2256 Fax: 603-222-2259
 150 Dow Street, Manchester, NH 03101
SMA FIXED ATTENUATOR
 M/F, 18 GHz

<small>SIZE C</small>	<small>CAGE CODE 3HT76</small>	<small>DRAWING NUMBER 2082-604X-dB</small>	<small>REV J</small>
<small>SCALE 5:1</small>	<small>PLATED AREA SH. IN XXX</small>	<small>SHEET 1 OF 1</small>	<small>TEMPLATE REV -</small>