

# Specifications

## Electrical

Frequency Range	2082-624X-dB	DC - 18 GHz
Frequency Range	2082-622X-dB	DC - 12.4 GHz
Frequency Range	2082-621X-dB	DC - 4 GHz
Attenuation Accuracy	0 to 6.0 dB	±0.30 dB
	6.5 to 20 dB	±0.50 dB
	21-30 dB	±0.75 dB
	40 dB	±1.00 dB
VSWR (MAX. For Model Freq. Range)	DC - 4 GHz	1.15:1
	4 - 12.4 GHz	1.25:1
	12.4 - 18 GHz	1.35:1
Average/RMS Power Max.	2 Watts	
Peak Power Max.	Derate Power Linearly from 100 % @ +25 to 10 % @ +125	
		500 Watts
	@ 5 µSeconds Pulse Width & 0.10 % Duty Cycle	
	A Longer Pulse Width Requires Duty Cycle to decrease 2:1 for Thermal Time constant	
Impedance	50 Ohms	
Operating Temperature (°C)	-65 / +125	

## Mechanical / Environmental

SMA Connectors Comply to MIL-STD-348 & MIL-PRF-39012  
 Attenuators meet Environmental Requirements of MIL-DTL-3933  
 Housings are Passivated Type 303 Stainless Steel  
 Contacts are Gold Plated BeCu  
 Dielectrics are Teflon (PTFE) IAW ASTM-D1710  
 Resistive Hybrid is a Protected Thin Film on 99.6 % Aluminum Oxide  
 Ceramic Microcircuit

### Ordering Information:

Examples:  
 2082-6242-10 = 10 dB, 18 GHz, 0.86" long  
 2082-6220-01 = 1 dB, 12.4 GHz, 0.86" long  
 2082-6213-12 = 12 dB, 6 GHz, 0.86" long  
 2082-6213-13 = 13 dB, 6 GHz, 1.02" long

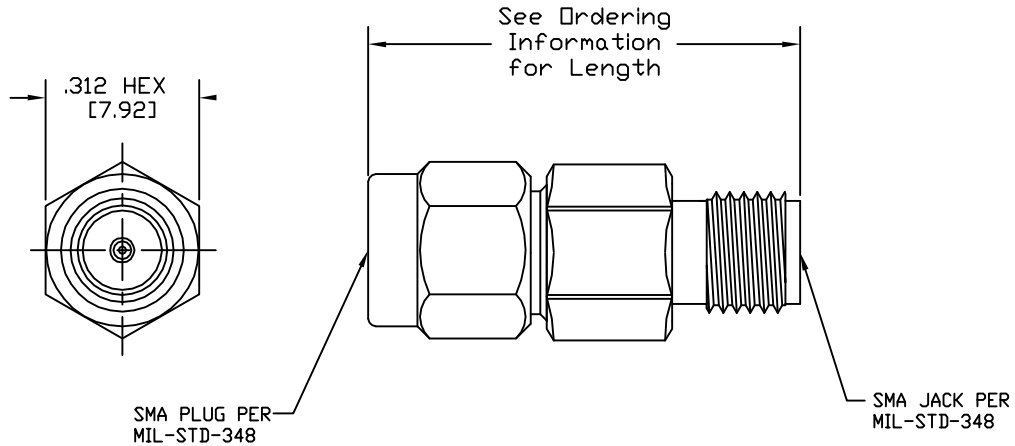
Standard configuration is Male to Female SMA  
 for Male to Male and Female to Female a larger size is available -  
 contact factory for part number guidance.  
 2080-61YY-dB Female to female and 2081-61YY-dB male to Male

**PRODUCTION  
RELEASE**

NOTE:  
THIS DRAWING INCORPORATES  
THIRD ANGLE PROJECTION  
INTERPRET IAW ANSI Y14.5-1992

REVISIONS

REV	DESCRIPTION	APPROVED
G	Combined 18, 12.4 & 6 GHz into single OD	05/15/2011 D. Saunders



## Ordering Information

dB Values	1 dB Steps, 18 GHz	1 dB Steps 12.4 GHz	1 dB Steps 4 GHz	Length Inch mm
	2082:	2082:	2082:	
-00/-03 = 0 / 3 dB	-6240-00/-03	-6220-00 thru -03	-6210-00 thru -03	0.86 [21.8]
-04/-06 = 4 / 6 dB	-6241-04/-06	-6221-04 thru -06	-6211-04 thru -06	0.86 [21.8]
-07/-10 = 7 / 10 dB	-6242-07/-10	-6222-07 thru -10	-6212-07 thru 10	0.86 [21.8]
-11/-12 dB	-6243-11 & -12	-6223-11 & -12	-6213-11 thru -12	0.86 [21.8]
-13 / -20 dB	-6243-13 thru -20	-6223-13 thru -20	-6213-13 thru / -20	1.02 [25.9]
-25, -30 and -40 dB	-6244-25, -30 or -40	-6224-25, -30 & -40	-6214-25, -30, & -40	1.02 [25.9]
-50 dB	not available	not available	-6225-50 dB	1.02 [25.9]

For Half DB Steps (0.5 dB, 1.5 dB, etc.) to 18 GHz, Order Model Number  
 2082-623Y-dB  
 Available in half dB steps from 0.05 thru 12.5 dB to 18 GHz Standard  
 (Contact Factory for lower Freq. Ranges)  
 2082-6230-00 = 0.5 dB Nominally  
 2082-6230-12 = 12.5 dB Nominally.

DRAWING PRACTICES PER ANSI Y14.5-1992 MIL-STD-100 & 1000	UNLESS OTHERWISE SPECIFIED TOLERANCES IN DECIMALS INCH MM .XX" .05" [1.3] .XXX" .030" [.76] .XXXX" .020" [1.51]	DRAWN D. SAUNDERS 01/14/2010 DATE	DATE
DIMENSIONS ARE IN INCHES AND APPLY BEFORE/AFTER PROCESSING	ANGLES	CHECKED	DATE
SURFACE ROUGHNESS	UNLESS OTHERWISE NOTED DIA'S CONCENTRIC <.003 T.I.R.	DATE D. SAUNDERS 01/14/2010	DATE
FINISH			
SEE NOTES			
MATERIAL			
SEE NOTES			

THESE DRAWINGS AND SPECIFICATIONS ARE THE PROPERTY OF XMA CORP. / OMN SPECTRA AND SHALL NOT BE REPRODUCED, COPIED, FOR RESALE, IN WHOLE OR IN PART, AS A BASIS FOR THE DESIGN, MANUFACTURE OR SALE OF OTHER ITEMS WITHOUT THE EXPRESS WRITTEN PERMISSION OF XMA CORP. CUSTOMERS AND VENDORS MAY COPY FOR INTERNAL REVIEW USE AS WEDED
---

WWW.XMACorp.com Sales@XMACorp.com

**XMA** Powered by: **Omni** **Spectra®**

XMA Corp. 150 Dow St. Manchester, NH 03045 (603) 222-2256 fax 222-2259

TITLE  
SMA Fixed Attenuator  
Full Hex Body (See Also Round/Hex 6400 Series)

SIZE C	CAGE CODE 3HT76	DWG NO. 2082-624X-dB
SCALE 5 : 1	PLATING AREA SEE APP. INCHES	XXX

SHEET 1 OF 1