

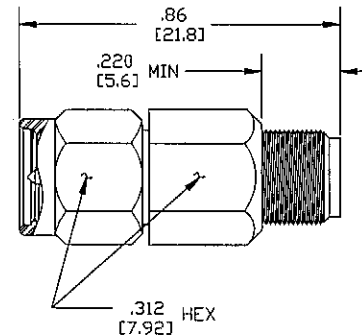
SMA Fixed Coaxial Attenuators

2082 Series

DC-6 GHz • Hex Body

- Small Size
- Low Cost
- Rugged Construction
- Thin Film Technology

This series of SMA subminiature hex body attenuators is designed for use where it is difficult to hold the unit while tightening the SMA connectors to the required torque levels. The hex body allows use of a standard SMA nut wrench to hold the body into position.



dB	DIM. A	WEIGHT
0 - 30	0.86 (21.8mm)	0.18 oz. max. (5g)

Part Number Plug-Jack	Attenuators (dB)
2082-6346-00	0.0 ±0.50
2082-6346-01	1.0 ±0.50
2082-6346-02	2.0 ±0.50
2082-6346-03	3.0 ±0.50
2082-6346-04	4.0 ±0.50
2082-6346-05	5.0 ±0.50
2082-6346-06	6.0 ±0.50
2082-6346-07	7.0 ±0.50
2082-6346-08	8.0 ±0.50
2082-6346-09	9.0 ±0.50
2082-6346-10	10.0 ±0.50
2082-6346-11	11.0 ±0.50
2082-6346-12	12.0 ±0.50
2082-6346-15	15.0 ±0.50
2082-6346-20	20.0 ±0.50
2082-6346-30	30.0 ±0.75

Frequency:

DC - 6.0 GHz
 Also available:
 DC - 2.5 GHz

VSWR:

DC - 2.5 GHz 1.15
 2.5 - 6.0 GHz
 > 0-6 dB 1.20
 > 7-12 dB 1.25
 > 15, 20 dB 1.30
 > 30 dB 1.35

Power:

2 Watts Average
 200 Watts Peak
 See Derating Curve on Page 2

Finish:

Passivated Stainless Steel

Specifications subject to change without notice.

Non-standard versions available.

Contact franchised distributor or factory.