

5

4

3

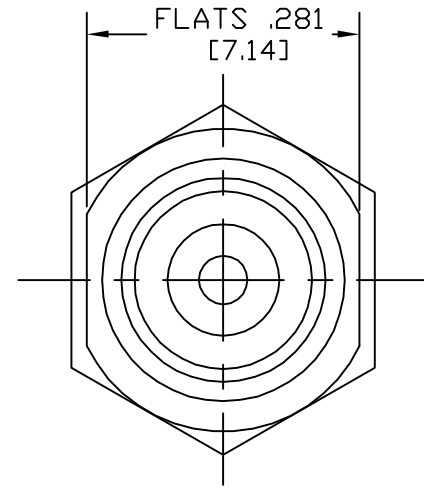
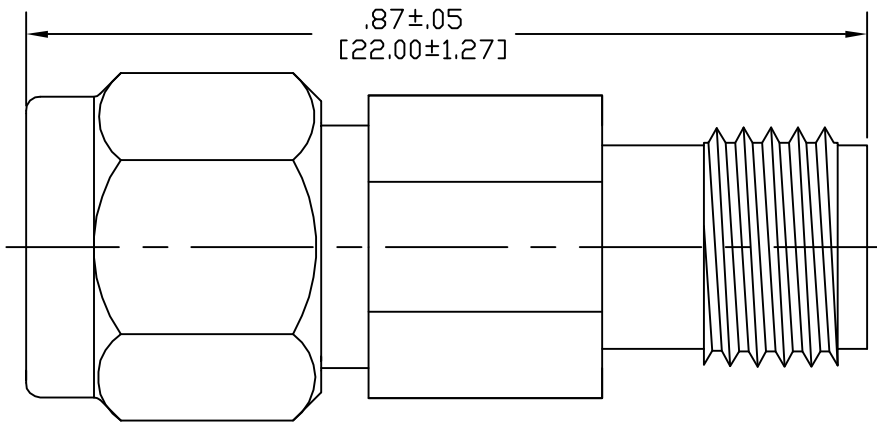
2

1

**PRODUCTION  
RELEASE**

NOTE:  
THIS DRAWING INCORPORATES  
THIRD ANGLE PROJECTION.  
INTERPRET IAW ANSI Y14.5-1982

REVISIONS			
LTR	DESCRIPTION	DATE	APPROVED
B1	26.5 - 40GHz	1/19/11	TAK



M07  
NOTES:

1. MATERIAL:  
HOUSING: STAINLESS STEEL IAW ASTM-A484 & ASTM-A582,  
ALLOY 303, COND A  
CONTACT: BERYLLIUM COPPER  
DIELECTRIC - HIGH TEMPERATURE PLASTIC BEAD

2. FINISH:  
HOUSING - PASSIVATED STAINLESS STEEL  
CONDUCTOR - GOLD PLATED IAW MIL-PRF-39012

3. ELECTRICALS:  
FREQUENCY RANGE DC - 40GHz  
AVAILABLE dB VALUES 0 - 6, 8, 10, 15, 20 & 30 dB  
ATTENUATION ACCURACY DC - 26.5GHz 26.5 - 40GHz  
0 - 6, 8 dB ±0.5dB ±0.8dB  
10, 15 & 20 dB ±0.6dB ±1.0dB  
30 dB ±0.8dB  
VSWR (Max) DC-18 GHz 18 - 40GHz  
<1.30 <1.40  
POWER (AVG) @25°C SEE TABLE  
Derates linearly to 10% at +125°C  
IMPEDANCE 50 OHMS  
OPERATING TEMPERATURE RANGE °C -55 to +125

4882-6X40-dB	POWER LEVEL
X = 0	0.5 WATT
X = 1	1 WATT
X = 2	2 WATT

DRAWING PRACTICES PER ANSI-Y-14.5 MIL-STD-100 & 300 DIMENSIONS ARE IN INCHES AND APPLY BEFORE/AFTER PROCESSING	UNLESS OTHERWISE SPECIFIED TOLERANCES IN: DECIMALS INCH DIMI
SURFACE ROUGHNESS INCHES 63 ✓	.X" .03" [.76] .XX" .010" [.25] .XXX" .005 [.127] .XXXX" .0005" [.013] ANGLES ±0°30'
FINISH SEE NOTES	REMOVE ALL BURRS/SHARP W/ BREAK / R OF .003" TO .0005" UNLESS OTHERWISE NOTED. DIAS CONCENTRIC <.003 T.I.R.
MATERIAL SEE NOTES	

DRAWN T. KUHN	DATE 6/12/07
CHECKED	DATE
ENGINEER APPR. T. KUHN	DATE 5/13/09

**XMA** Powered by:  
Omni Spectra®  
Phone:603-222-2256 Fax:603-222-2259  
150 Dow Street, Manchester, NH 03101

TITLE  
**2.92 mm, M/F, ATTENUATOR,  
DC-40GHz**

SIZE B	CAGE CODE 3HT76	DRAWING NUMBER 4882-6X40-dB
SCALE 8:1	FLUOTF AREA SQ. DI XXX	SHEET 1 OF 1

5

4

3

2

1

BCS1