

5

4

3

2

1

**PRODUCTION
RELEASE**

NOTE:
THIS DRAWING INCORPORATES
THIRD ANGLE PROJECTION.
INTERPRET IAW ANSI Y14.5-1992

REVISIONS

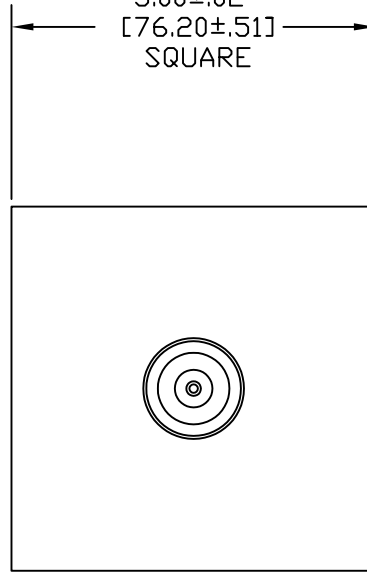
LTR	DESCRIPTION	DATE	APPROVED
A	RELEASED	11/26/08	TAK

ELECTRICAL
 FREQUENCY RANGE DC- 6GHz, 12.4GHz AND 18GHz
 AVAILABLE dB VALUES 3, 6, 10, 20, 30 & 40 dB
 ATTENUATION ACCURACY DC-6GHz 6-12.4GHz 12.4-18GHz
 3 & 6 dB ±0.75 dB ±0.75 dB ±0.75 dB
 10 & 20 dB ±0.75 dB ±0.75 dB ±1.00 dB
 30 dB ±0.75 dB ±1.00 dB ±1.25 dB
 40 dB ±1.00 dB ±1.25 dB ±1.50 dB

VSWR
 DC - 6 GHz 1.25:1 MAX
 6 - 12.4 GHz 1.35:1 MAX
 12.4 - 18 GHz 1.45:1 MAX
INPUT POWER 50 WATTS AVG. @ 25°C
 DERATED LINEARLY TO 10 WATTS @ 125°C
PEAK POWER 500 WATTS
 (5µSec PULSE, 85% DUTY CYCLED)
IMPEDANCE 50 OHMS
OPERATING TEMP RANGE -65°C TO +125°C

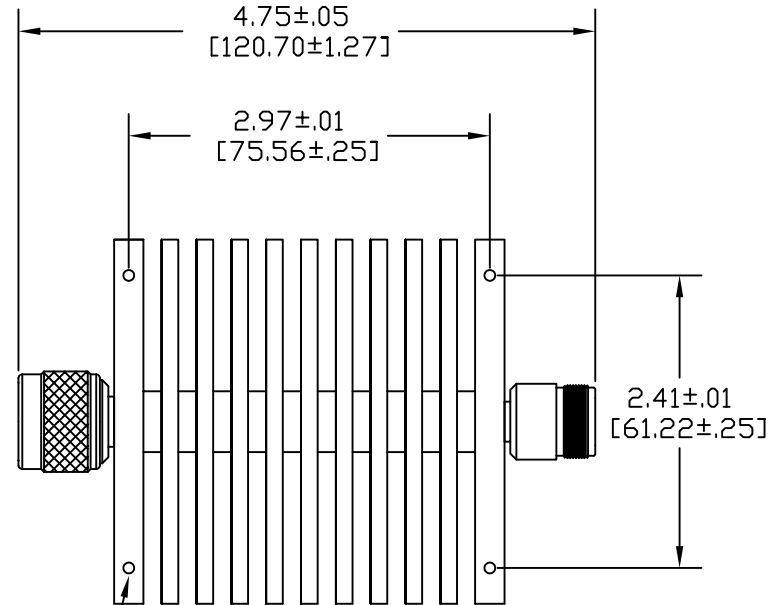
MECHANICAL
 TYPE N CONNECTORS PASSIVATED STAINLESS STEEL
 CONDUCTORS GOLD PLATED BERYLLIUM COPPER
 HOUSING BLACK ANODIZED ALUMINUM

3.00±.02
 [76.20±.51]
 SQUARE



4.75±.05
 [120.70±1.27]

2.97±.01
 [75.56±.25]



8X 4-40 UNC-2B TAP
 X .250 [DP.]

NOTES:
 UNIT IS UNIDIRECTIONAL, THE INPUT CONNECTOR WILL BE MARKED ACCORDINGLY.
 THE OUTPUT PORT HANDLES 5 WATTS MAX POWER.

DRAWING PRACTICES PER ANSI-Y-14.5 MIL-STD-100 & 1000	UNLESS OTHERWISE SPECIFIED TOLERANCES IN:	DRAWN T. KUHN	DATE 3/7/07
DIMENSIONS ARE IN INCHES AND APPLY BEFORE/AFTER PROCESSING	DECIMALS INCH DIM	CHECKED	DATE
SURFACE ROUGHNESS INCHES 63 ✓	.X" .03" [.76] .XX" .010" [.25] .XXX" .005 [.127] .XXXX" .0005" [.013]	ENGINEER APPR. T. KUHN	DATE 11/7/08
FINISH SEE NOTES	ANGLES ±0°30' REMOVE ALL BURRS/SHARP W/ BREAK / R OF .003" TO .0005" UNLESS OTHERWISE NOTED DIAS CONCENTRIC <.003 T.I.R.	THESE DRAWINGS AND SPECIFICATIONS ARE THE PROPERTY OF XMA CORP. OR OMNI SPECTRA AND SHALL NOT BE REPRODUCED, COPIED NOR USED - IN WHOLE OR IN PART - AS A BASIS FOR THE MANUFACTURE OR SALE OF OTHER ITEMS WITHOUT THE EXPRESS WRITTEN PERMISSION OF XMA CORP.	
MATERIAL SEE NOTES			

SIZE B	CAGE CODE 3HT76	DRAWING NUMBER 3082-7550-XX-XX
SCALE 1:1	PLATED AREA SQ. IN XXX	SHEET 1 OF 1

XMA Powered by:
 Omni Spectra®
 Phone: 603-222-2256 Fax: 603-222-2259
 150 Dow Street, Manchester, NH 03101

TITLE OUTLINE DRAWING ATT, 50 W, TYPE N M/F, DC - 18GHz		
SIZE B	CAGE CODE 3HT76	DRAWING NUMBER 3082-7550-XX-XX
SCALE 1:1	PLATED AREA SQ. IN XXX	SHEET 1 OF 1

5

4

3

2

1

BCSI