

**PRODUCTION
RELEASE**

NOTE:
THIS DRAWING INCORPORATES
THIRD ANGLE PROJECTION.
INTERPRET IAW ANSI Y14.5-1995

REVISIONS		
REV	DESCRIPTION	APPROVED
A	corrected VSWR 6-12.4 to be 4-12.4	01/14/2011 D. Saunders

ELECTRICAL

FREQUENCY RANGE _____ DC- 18GHz

ATTENUATION ACCURACY ACROSS FREQ. RANGE

01-06 dB	±0.30 dB
07-12 & 20 dB	±0.50 dB
13-19 & 30 dB	±0.75 dB
40 dB	±1.50 dB

VSWR

DC - 4 GHz	1.15:1 MAX
4 - 12.4 GHz	1.25:1 MAX
12.4 - 18 GHz	1.35:1 MAX

INPUT POWER _____ 2 WATTS AVG. @ 25°C
DERATES LINEARLY TO 10% @ 125°C FROM 25°C

RF LEAKAGE/RFI _____ >65 dBc (>90 dBc TYP.)

PEAK POWER _____ 500 WATTS
(5µSec PULSE WIDTH, .05% DUTY CYCLE)

IMPEDANCE _____ 50 OHMS

OPERATING TEMP RANGE _____ -65°C TO +125°C

CONFORMANCE TESTING IS 100% ATTENUATION AND V.S.W.R.
ACROSS SWEEPED FREQUENCY RANGE AT 20-25°C

PART ORDERING INFORMATION:

TYPE N MALE TO FEMALE (MALE TO MALE & FEMALE TO FEMALE AVAIL.)
3082-7001-DB

'-DB': SIGNIFIES NOMINAL DB VALUE OF UNIT IN 0.1 dB INCREMENTS

-03 = 3.0 dB Nominal	-10 = 10.0 dB Nominal
-06 = 6.0 dB Nominal	-40 = 40.0 dB Nominal

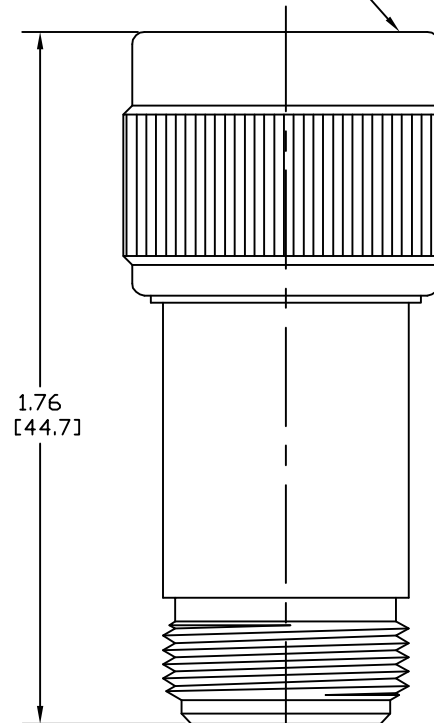
MECHANICAL

CONNECTOR BODIES _____ PASSIVATED STAINLESS STEEL
CENTER CONDUCTORS _____ GOLD PLATED BERYLLIUM COPPER
INSULATORS _____ PTFE (TEFLON) IAW ASTM-D1710
RESISTIVE ELEMENT _____ THIN FILM ON CERAMIC RESISTIVE CIRCUIT
NOT A HERMETIC SEALED UNIT

RoHS Compliant Device

MATERIALS, ENVIRONMENTAL PERFORMANCE & FINISHES COMPLY TO MIL-DTL-3933

MATES W/ TYPE N
IAW MIL-STD-348



MATES W/ TYPE N
IAW MIL-STD-348

DRAWING PRACTICES PER ANSI-Y14.5 MIL-STD-100 & 1000	UNLESS OTHERWISE SPECIFIED TOLERANCES IN	DRAWN D. SAUNDERS	DATE
DIMENSIONS ARE IN INCHES AND APPLY BEFORE/AFTER PROCESSING	DECIMALS .010 .020 .050	CHECKED	DATE
SURFACE ROUGHNESS	.XXX .XXXX .XXXXX	ENG.	DATE
FINISH	ANGLES	THESE DRAWINGS AND SPECIFICATIONS ARE THE PROPERTY OF XMA CORP. OR OMNI SPECTRA AND SHALL NOT BE REPRODUCED, COPIED NOR USED - IN WHOLE OR IN PART - AS A BASIS FOR THE MANUFACTURE OR SALE OF OTHER ITEMS WITHOUT THE EXPRESS WRITTEN PERMISSION OF XMA CORP.	
MATERIAL	UNLESS OTHERWISE NOTED DIA'S CONCENTRIC <.003 T.I.R.	SCALE	4:1
SEE NOTES		CAGE CODE	3HT76
SEE NOTES		DWG NO.	3082-7001-DB

SIZE	C	DWG NO.	3082-7001-DB
SCALE	4:1	SHEET	1 OF 1

www.XMACorp.com Sales@XMACorp.com
Powered by:
XMA Omni Spectra
Phone: 603-222-2256 Fax: 603-222-2259
150 Dow Street, Manchester, NH 03101

ATTENUATOR
TYPE N, 2 W, 18 GHz