

# SPECIFICATIONS

FREQUENCY RANGE: \_\_\_\_\_ DC - 18GHz

ATTENUATION: \_\_\_\_\_ SEE TABLE  
 ATTENUATION DEV. TOL.: \_\_\_\_\_ SEE TABLE

VSWR (MAX.): (1-40 dB) \_\_\_\_\_ 1.15:1 (DC - 4 GHz)  
 \_\_\_\_\_ 1.25:1 (4 - 12.4 GHz)  
 \_\_\_\_\_ 1.35:1\* (12.4 - 18 GHz)

POWER (AVG): \_\_\_\_\_ 50 & 60 dB <1.45 (15 GHz-18 GHz)  
 \_\_\_\_\_ 5 WATTS CW  
 \_\_\_\_\_ DERATES LINEARLY FROM 25°C TO 10% @125°C  
 \_\_\_\_\_ 500 WATTS MAX.  
 (PEAK): \_\_\_\_\_ @5 μSEC PULSE WIDTH x 0.25% DUTY CYCLE

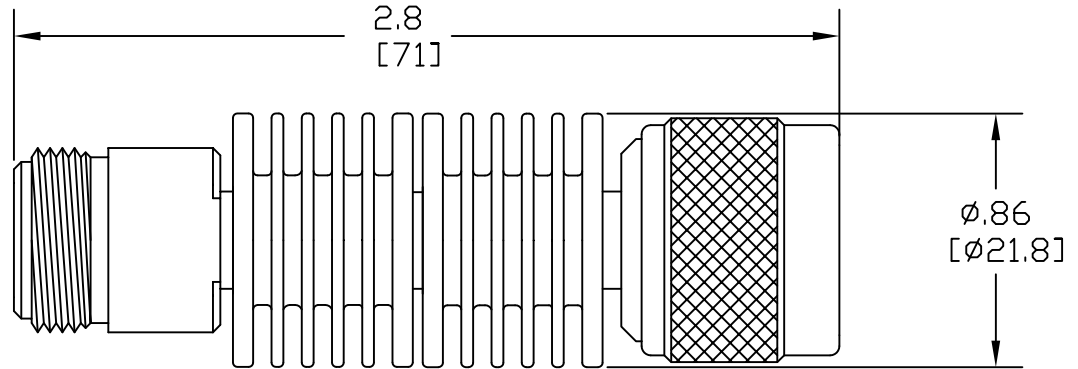
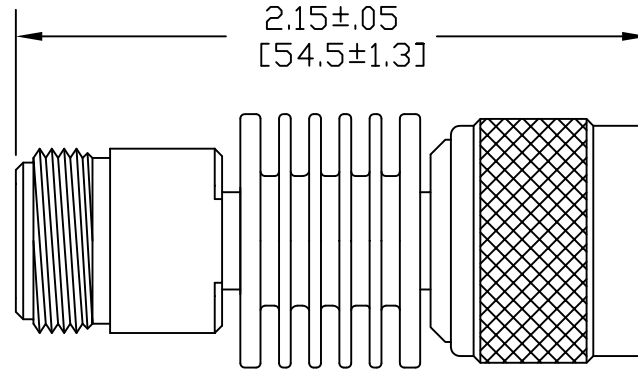
IMPEDANCE(NOM.): \_\_\_\_\_ 50 OHMS

DASH NO.	NOM. DB	MAX. DEV.	DASH NO.	NOM. DB	MAX. DEV.
-01	1	±.3	-10	10	±.5
-02	2	±.3	-11	11	±.5
-03	3	±.3	-12	12	±.5
-04	4	±.3	-15	15	±.5
-05	5	±.3	-20	20	±.5
-06	6	±.3	-30	30	±.75
-07	7	±.5	-40	40	±1.25
-08	8	±.5	-50	50	±2.0
-09	9	±.5	-60	60	±2.5

**PRODUCTION  
RELEASE**

NOTED  
THIS DRAWING INCORPORATES  
THIRD ANGLE PROJECTION.  
INTERPRET IN ACC. W/AS 11AS-1988

REV	DESCRIPTION	DATE	APPROVED
A	CUSTOMIZE FOR FREQ RANGE	11/2/10	T. KUHN



- NOTES:
- MATERIALS (COMPLY WITH MIL-DTL-3933 AND MIL-PRF-39012):**  
 CENTER CONDUCTOR: BERYLLIUM COPPER PER QQ-C-530, ASTM B196, ASTM-B197 ALLOYS C17200 OR C17300 PER MIL-PRF-39012  
 OUTER CONDUCTOR: STAINLESS STEEL PER ASTM A484 & A582, CLASS 303, COND. A.  
 HOUSING/HEAT SINK: ALUMINUM (May be one of several QQ-A-XXX or ASTM standards)  
 DIELECTRIC: TEFLON PER ASTM D1710.  
 RESISTOR SUBSTRATE AIN OR ALUMINA CERAMIC,
  - FINISH: (COMPLY WITH MIL-DTL-3933 AND MIL-PRF-39012):**  
 CENTER CONDUCTOR: GOLD PER ASTM-B488 AND MIL-PRF-39012  
 OUTER CONDUCTOR: PASSIVATED PER ASTM A380. AND MIL-PRF-39012  
 HOUSING: BLACK ANODIZE  
 RESISTOR: PROPRIETARY THIN FILM HYBRID W/ PROTECTIVE COATING
  - ENVIRONMENTAL CAPABILITIES AND DESIGN COMPLY WITH MIL-DTL-3933 FOR CLASS IV DEVICES (SOME PARAMETERS COMPLY WITH TYPE III OR BETTER).**  
 ALSO AVAILABLE IN MALE TO MALE, FEMALE TO FEMALE, SMA; TNC; DIN 7-16 VERSIONS AS WELL AS BETWEEN SERIES ADAPTENUATORS.

DRAWING PRACTICES PER ANSI-Y-145 MIL-STD-883C & 1000 DIMENSIONS ARE IN INCHES AND APPLY BEFORE/AFTER PROCESSING	UNLESS OTHERWISE SPECIFIED TOLERANCES ON	DRAWN D. SALUNDERS CHECKED DATE	
	DECIMALS .1" .125		DATE
	.XX" .030" [.76] .XXX" .015 [.38]		DATE
FINISH SEE NOTES	ANGLES	ENG. DATE	
MATERIAL SEE NOTES	UNLESS OTHERWISE NOTED DIAS CONCENTRIC <.003 T.I.R.	THESE DRAWINGS AND SPECIFICATIONS ARE THE PROPERTY OF XMA CORP. OR OMNI SPECTRA AND SHALL NOT BE REPRODUCED, COPIED NOR USED - IN WHOLE OR IN PART - AS A BASIS FOR THE MANUFACTURE OR SALE OF OTHER ITEMS WITHOUT THE EXPRESS WRITTEN PERMISSION OF XMA CORP.	

DATE	DATE
DATE	DATE

www.XMACorp.com Sales@XMACorp.com

**XMA** Powered by:  
**Omni Spectra**®  
 Phone: 603-222-2256 Fax: 603-222-2259  
 150 Dow Street, Manchester, NH 03101

TITLE ATTENUATOR, 5 WATT, TYPE N, DC-18GHZ			
SIZE C	CAGE CODE 3HT76	DWG NO. 3082-6524-DB	DATE
SCALE 3/1	PLATING AREA SQUARE INCHES	XXX	SHEET 1 OF 1