

2080-619Y-XX

18 GHz, SMA, F/F Attenuator

Specifications

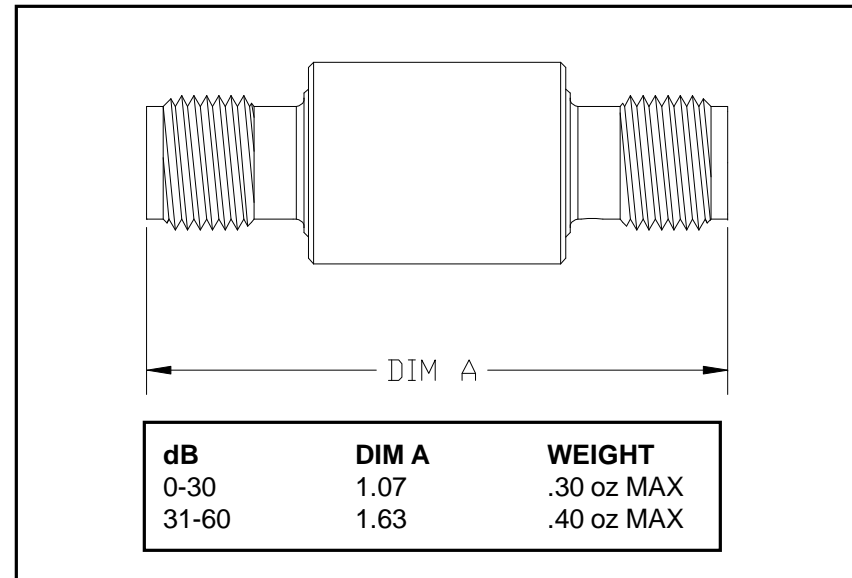
Electrical:

Frequency Range	DC-18 GHz
VSWR	
DC-4 GHz	1.15:1 Max
4-12.4 GHz	1.25:1 Max
12.4-18 GHz	1.35:1 Max
Attenuation Accuracy	
0-6 dB	+/- 0.30 dB
7-10, 20 dB	+/- 0.50 dB
11-30 dB	+/- 0.75 dB
40 dB	+/- 1.50 dB
50, 60	+/- 2.00 dB
Power (Avg)	2 Watts
Power (Peak)	500 Watts
Impedance	50 Ohms
Operating Temp Range	-65 to +125 °C

Mechanical:

Size: Length	see right
Body Dia.	0.390" MAX
Connector & Body	Passivated Stainless Steel
Center Conductor	Gold Plated Beryllium Copper

Outline Drawing



Ordering Guide

Part Number Format:	
2080-6191-XX / 0-3dB	2080-6192-XX / 4-6dB
2080-6193-XX / 7-10dB	2080-6194-XX / 11-20dB
2080-6195-XX / 30dB	2080-6196-XX / 31-60dB

Rev: 100407PR

WHEN PERFORMANCE MATTERS

150 Dow Street Manchester, NH 03101

Tel:603-222-2256

Fax:603-222-2259

www.XMACORP.com

This document was created with Win2PDF available at <http://www.win2pdf.com>.
The unregistered version of Win2PDF is for evaluation or non-commercial use only.
This page will not be added after purchasing Win2PDF.