

SPECIFICATIONS

ELECTRICAL

FREQUENCY RANGE 2082-604X-dB _____ DC-18GHz
 2082-602X-dB _____ DC-12.4 GHz
 2082-601X-dB _____ DC-6 GHz

ATTENUATION ACCURACY 0-6 dB _____ ± 0.30
 7-20 dB _____ ± 0.50
 21-30 dB _____ ± 0.75
 40 dB _____ ± 1.00

VSWR (MAX. for PN Freq. Range)
 DC - 4 GHz _____ 1.15:1 MAX
 4 - 12.4 GHz _____ 1.25:1 MAX
 12.4 - 18 GHz _____ 1.35:1 MAX

POWER (AVG): _____ 2 WATTS
DERATE FROM 25°C to 10% @ 125°
 POWER (PEAK): _____ 500 WATTS
At 5µs Second Pulse Width & 0.1% Duty Cycle

IMPEDANCE _____ 50 OHMS

OPERATING TEMP RANGE _____ -65°C TO +125°C

MECHANICAL

SMA CONNECTOR
 HOUSING _____ PASSIVATED STAINLESS STEEL
 CENTER CONTACT _____ GOLD PLATED BERYLLIUM COPPER
 RESISTIVE ELEMENT _____ THIN FILM HYBRID ON 99.6% ALUMINA
 SUBSTRATE _____

CONNECTOR
 INTERFACE IAW MIL-STD-348 & MIL-PRF-39012
 MATERIALS, FINISHES AND ENVIRONMENTAL CAPABILITIES MEET
 MIL-DTL-3933

Ordering Information:

Examples:

2082-6042-10 = 10 dB, 18 GHz, 0.86" long
 2082-6020-01 = 1 dB, 12.4 GHz, 0.86" long
 2082-6013-12 = 12 dB, 6 GHz, 0.86" long
 2082-6013-13 = 13 dB, 6 GHz, 1.02" long

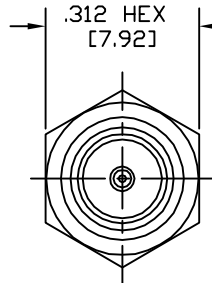
Standard configuration is Male to Female SMA
 for Male to Male and Female to Female a larger size is available -
 contact factory for part number guidance.

PRODUCTION
RELEASE

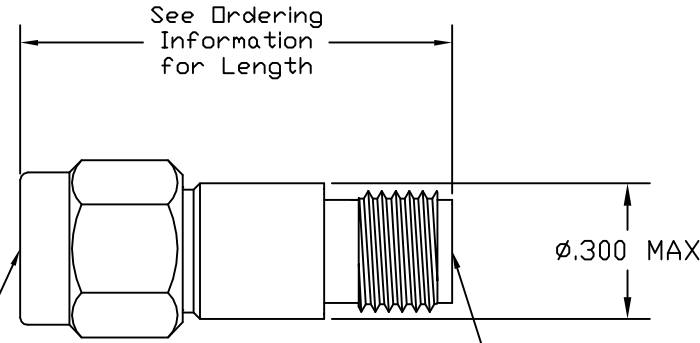
NOTE:
THIS DRAWING INCORPORATES
THIRD ANGLE PROJECTION
INTERPRET IAW ANSI Y14.5-1995

REVISIONS

REV	DESCRIPTION	APPROVED
E	Combined 18, 12.4 & 6 GHz into single OD	01/14/2010 D. Saunders



SMA PLUG PER
MIL-STD-348



See Ordering
Information
for Length

ø.300 MAX

SMA JACK PER
MIL-STD-348

Ordering Information

dB Values	1 dB Steps, 18 GHz	1 dB Steps 12.4 GHz	1 dB Steps 6 GHz	Length Inch mm
	2082:	2082:	2082:	
-00/-03=0 / 3 dB	-6040-00/-03	-6020-00 thru -03	-6010-00 thru -03	0.86 [21.8]
-04/-06=4 / 6 dB	-6041-04/-06	-6021-04 thru -06	-6011-04 thru -06	0.86 [21.8]
-07/-10=7 / 10 dB	-6042-07/-10	-6022-07 thru -10	-6012-07 thru 10	0.86 [21.8]
-11/-12=11 / 12 dB	-6043-11 & -12	-6023-11 & -12	-6013-11 thru -12	0.86 [21.8]
-13 / -20 dB	-6043-13 thru -20	-6023-13 thru -20	-6013-13 thru / -20	1.02 [25.9]
-25, -30 and -40 dB	-6044-25, -30 or -40	-6024-25, -30 & -40	-6014-25, -30, & -40	1.02 [25.9]
-50 dB	not available	not available	-6025-50 dB	1.02 [25.9]

WWW.XMACORP.COM Sales@XMACORP.COM

XMA Corp. 150 Dow St. Manchester, NH 03045 (603) 222-2256 fax 222-2259

DRIVING PRACTICES PER ANSI Y14.5 MIL-STD-100 & 1000	UNLESS OTHERWISE SPECIFIED DIMENSIONS IN DECIMALS INCH MM	DRAWN D. SAUNDERS 01/14/2010	DATE
DIMENSIONS ARE IN INCHES AND APPLY BEFORE/AFTER PROCESSING	.XX .03" [.76]	CHECKED	DATE
SURFACE ROUGHNESS 63 ✓	.XXX .010" [.25]	ENG D. SAUNDERS 01/14/2010	DATE
FINISH	.XXXX .005 [.127]	THESE DRAWINGS AND SPECIFICATIONS ARE THE PROPERTY OF XMA CORP. / OMNI SPECTRA AND SHALL NOT BE REPRODUCED, COPIED, NOR USED - IN WHOLE OR IN PART - AS A BASIS FOR THE DESIGN, MANUFACTURE OR SALE OF OTHER ITEMS WITHOUT THE EXPRESS WRITTEN PERMISSION OF XMA CORP., CUSTOMERS AND VENDORS MAY COPY FOR INTERNAL REVIEW USE AS WEDED	
SEE NOTES	.XXXXX .0005" [.013]	TITLE SMA Fixed Attenuator	
MATERIAL	ANGLES ±0°30'	SIZE C	CAGE CODE 3HT76
SEE NOTES	REMOVE ALL BURRS/SHARP V/ BREAK IN OF .003" TO .005" DIAS CONCENTRIC <.003 T.I.R.	DWG NO. 2082-604X-dB	SCALE 5 : 1

SIZE C	CAGE CODE 3HT76	DWG NO. 2082-604X-dB
SCALE 5 : 1	PLT FILE SOL FILE XXX	SHEET 1 OF 1