

SPECIFICATIONS

ELECTRICAL:

FREQUENCY RANGE _____ DC-18 GHz

IMPEDANCE _____ 50 OHMS

VSWR

DC-4 GHz _____ 1.15:1 MAX.
 4-12.4 GHz _____ 1.25:1 MAX.
 12.4-18 GHz _____ 1.35:1 MAX.

ATTENUATION ACCURACY _____ ±0.50

POWER (AVG) _____ 2 WATTS
 POWER DERATES LINEARLY FROM +25°C TO <10% @ +125°C

POWER (PEAK) _____ 500 WATTS
 5 μ SEC PW & 0.05% DUTY CYCLE

OPERATING TEMP _____ 4°K TO +125°C

MECHANICAL

HOUSING _____ PASSIVATED STAINLESS STEEL

CONNECTORS _____ PASSIVATED STAINLESS STEEL

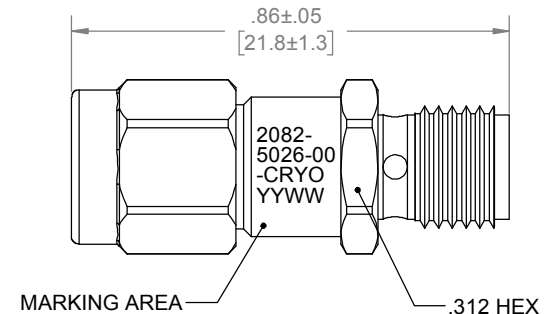
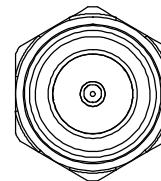
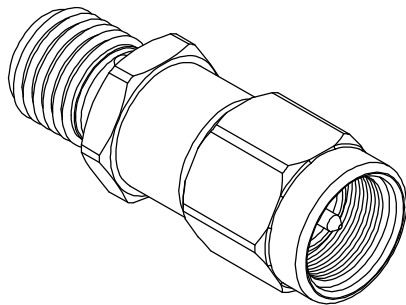
CONTACTS _____ GOLD PLATED BERYLLIUM COPPER

CONNECTOR INTERFACES, FINISHES AND MATERIALS COMPLY WITH BOTH MIL-PRF-39012 AND MIL-STD-348.

RECOMMENDED MATING TORQUE _____ 7 - 10 INCH POUNDS

MARKING

PART LOOKS LIKE PRODUCT IMAGE ABOVE.
 PART MARKING ORIENTATION AND FORMAT AS SHOWN.
 MARKING TO BE AS LARGE AS POSSIBLE, CLEAR, AND READABLE.
 YYWW EQUALS DATE CODE



REVISIONS				
REV	DESCRIPTION	ECO #	DATE	APPROVED
-	CHNG BRDR DEFAULTS; REMOVE 1-12dB	13-306	12/17/13	T.KUHN
A	ADDED MARKING	15-140	5/18/15	T.KUHN
B	CHANGED ASSY # IN BOM	17-063	5/2/17	T.KUHN

QTY.	PART NUMBER	DESCRIPTION	ITEM NO.
X	2082-5026-00-CRYO	ATTENUATOR, SMA-m/f, DC-18GHz, 0dB	
1	TA-2082-5026-00U-CRYO	ASSY, ATTENUATOR, SMA-m/f, DC-18GHz, 0dB, UNMARKED	1

DRAWING PRACTICES PER ANSI-Y-14.5 MIL-STD-100 & 1000	
DIMENSIONS ARE IN INCHES AND APPLY BEFORE / AFTER PROCESSING	
SURFACE ROUGHNESS μINCHES	63
FINISH:	
SEE NOTE	
MATERIAL:	
SEE NOTE	
NOTE: THIS DRAWING INCORPORATES THIRD ANGLE PROJECTION.	
INTERPRET IAW ANSI Y14.5-1982	

UNLESS OTHERWISE SPECIFIED TOLERANCES IN:	
DECIMALS	INCH (MM)
.X"	.05" [1.27]
.XX"	.03" [.76]
.XXX"	.010" [.25]
ANGLES ±0°30'	
REMOVE ALL BURRS/SHARP W/ BREAK / R OF .003" TO .0005" UNLESS OTHERWISE NOTED DIAS CONCENTRIC <.003 T.I.R.	
DO NOT SCALE PRINT	

DRAWN	DATE
T.KUHN	6/26/13
CHECKED	DATE
MCCORMICK	5/18/15
ENG. APPR.	DATE
T.KUHN	6/26/13

Phone: 603-222-2256 Fax: 603-222-2259
 150 Dow Street, Manchester, NH 03101

TITLE
ATTENUATOR, SMA-m/f, DC-18GHz, 0dB, CRYO

SIZE	CAGE CODE	DRAWING NUMBER	REV
B	3HT76	2082-5026-00-CRYO	B
SCALE	PLATED AREA SQ. IN	SHEET 1 OF 1	

THESE DRAWINGS AND SPECIFICATIONS ARE THE PROPERTY OF XMA CORP. OR OMNI SPECTRA AND SHALL NOT BE REPRODUCED, COPIED NOR USED - IN WHOLE OR IN PART - AS A BASIS FOR THE MANUFACTURE OR SALE OF OTHER ITEMS WITHOUT THE EXPRESS WRITTEN PERMISSION OF XMA CORP.