

SPECIFICATIONS

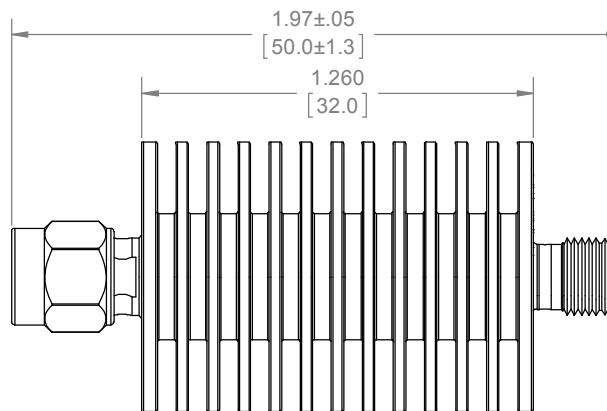
ELECTRICAL
 FREQUENCY RANGE _____ DC TO 18 GHz
 ATTENUATION (FREQ. IN GHz) _____ DC-12.4 _____ DC-18
 1-6 dB _____ ±0.3 dB _____ ±0.5 dB
 7-10, 12, 15 & 20 dB _____ ±0.5 dB _____ ±0.75 dB
 30 & 40 dB _____ ±0.75 dB _____ ±1.00 dB
 VSWR(MAX)
 DC - 4 GHz _____ 1.15:1 MAX
 4 - 12.4 GHz _____ 1.25:1 MAX
 12.4 - 18 GHz _____ 1.40:1 MAX
 POWER _____ 10 WATTS (AVG)
 Derates Linearly from +25°C to 10% at +125°C
 POWER, PEAK _____ 500 WATTS
 5µSec PULSE WIDTH, 0.2% DUTY CYCLE
 IMPEDANCE: _____ 50 OHMS
 OPERATING TEMP RANGE _____ -65 TO +125°
 ENVIRONMENTAL CAPABILITIES PER MIL-DTL-3933A/16 TYPE DEVICES

MECHANICAL
 OUTER CONDUCTOR _____ PASSIVATED STAINLESS
 STEEL IAW ASTM A484 & A582, CLASS 303
 HEAT SINK _____ BLACK ANODIZED ALUMINUM
 CENTER CONDUCTOR _____ GOLD PLATED (ASTM-B488/MIL-PRF-39012)
 BeCu PER ASTM B196 & B197
 DIELECTRIC _____ TEFLON (PTFE) PER ASTM D1710.
 ATTENUATOR CARD _____ PROPRIETARY THIN FILM,
 PASSIVATION PROTECTED,
 ON ALUMINUM NITRIDE CERAMIC
 HYBRID
 WEIGHT _____ 0.86 oz./24.4 grams Max.

RoHS COMPIANT DEVICE

MARKING
 PART LOOKS LIKE PRODUCT IMAGE ABOVE.
 PART MARKING ORIENTATION AND FORMAT AS SHOWN.
 MARKING TO BE AS LARGE AS POSSIBLE BE, CLEAR, READABLE.
 -dB VALUE TO BE TWO DIGIT NUMBER AS SPECIFIED ON WORK
 ORDER. EX 1 dB = 2082-6502-01, 10 dB = 2082-6502-10
 YYWW EQUALS DATE CODE.

REVISIONS				
REV	DESCRIPTION	ECO #	DATE	APPROVED
-	INITIAL RELEASE	13-268	11/4/13	T.KUHN
A	.86 WAS .88	14-150	4/9/14	T.KUHN
B	ADDED MARKING	15-185	6/17/15	T.KUHN
C	CLARIFY ATTEN VALUES, ADD RoHS	16-099	5/2/16	T.KUHN



QTY.	PART NUMBER	DESCRIPTION	ITEM NO.
X	2082-6502-dB	ATTENUATOR, SMA-m/f, DC-18GHz, 10W	
1	TA-2082-6502-dBU	ASSY, ATTENUATOR, SMA-m/f, DC-18GHz, 10W, UNMARKED	1

DRAWING PRACTICES PER ANSI-Y-14.5 MIL-STD-100 & 1000
 DIMENSIONS ARE IN INCHES AND APPLY BEFORE / AFTER PROCESSING
 SURFACE ROUGHNESS 63 µINCHES
 FINISH:
 SEE NOTE
 MATERIAL:
 SEE NOTE
 NOTE:
 THIS DRAWING INCORPORATES THIRD ANGLE PROJECTION.
 INTERPRET IAW ANSI Y14.5-1982

UNLESS OTHERWISE SPECIFIED TOLERANCES IN:
 DECIMALS INCH [MM]
 .X" .05" [1.27]
 .XX" .03" [.76]
 .XXX" .010" [.25]
 ANGLES ±0°30'
 REMOVE ALL BURRS/SHARP W/ BREAK / R OF .003" TO .0005"
 UNLESS OTHERWISE NOTED DIAS CONCENTRIC <.003 T.I.R.
 DO NOT SCALE PRINT

DRAWN DATE
 V.SHELBY 11/4/13
 CHECKED DATE
 T.KUHN 11/4/13
 ENG. APPR. DATE
 T.KUHN 11/4/13

XMA Omni Spectra
 Phone: 603-222-2256 Fax: 603-222-2259
 150 Dow Street, Manchester, NH 03101
 TITLE
ATTENUATOR, SMA-m/f, DC-18GHz, 10W
 THESE DRAWINGS AND SPECIFICATIONS ARE THE PROPERTY OF XMA CORP. OR OMNI SPECTRA AND SHALL NOT BE REPRODUCED, COPIED NOR USED - IN WHOLE OR IN PART - AS A BASIS FOR THE MANUFACTURE OR SALE OF OTHER ITEMS WITHOUT THE EXPRESS WRITTEN PERMISSION OF XMA CORP.

SIZE B	CAGE CODE 3HT76	DRAWING NUMBER 2082-6502-dB	REV C
SCALE	PLATED AREA SQ. IN	SHEET 1 OF 1	