

SPECIFICATIONS

FREQUENCY RANGE: DC TO 2.5; 4; 6; 12.4 & 18 GHz
 (SEE ORDERING INFORMATION UNDER AVAILABLE DB VALUES TABLE)

ATTENUATION: SEE TABLE
 ATTENUATION DEV. TOL.: SEE TABLE
 VSWR(MAX.): (1-40 Db)
 1.15:1 (DC - 4 GHz)
 1.25:1 (4 - 12.4 GHz)
 1.35:1* (12.4 - 18 GHz)
 <1.45 (15 GHz-18 GHz)

POWER(AVG): 50 dB *
 5 WATTS CW
 DERATES LINEARLY FROM 25°C TO 10% @ 125°C

(PEAK): 500 WATTS MAX.
 @5 μSEC PULSE WIDTH x 0.25% DUTY CYCLE

IMPEDANCE(NOM.): 50 OHMS

DASH NO.	NOM. DB	MAX. DEV.	DASH NO.	NOM. DB	MAX. DEV.
-01	1	±.3	-10	10	±.5
-02	2	±.3	-11	11	±.5
-03	3	±.3	-12	12	±.5
-04	4	±.3	-15	15	±.5
-05	5	±.3	-20	20	±.5
-06	6	±.3	-30	30	±.75
-07	7	±.5	-40	40	±1.25
-08	8	±.5	-50	50	±2.0
-09	9	±.5			

MAX. FREQ.	ORDER PN	DB VALUES AVAIL.
2.5 GHz	2082-6522-DB	1-50 DB STD
4 GHz	2082-6520-DB	1-50 DB STD
6 GHz	2082-6526-DB	1-50 DB STD
12.4 GHz	2082-6510-DB	1-40 DB STD
18 GHz	2082-6524-DB	1-40 DB STD

NOTES:

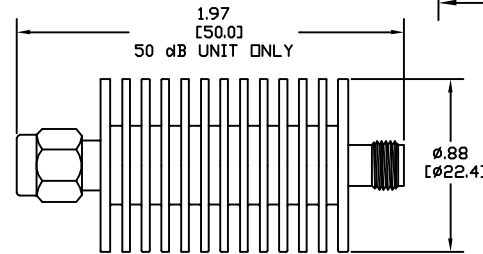
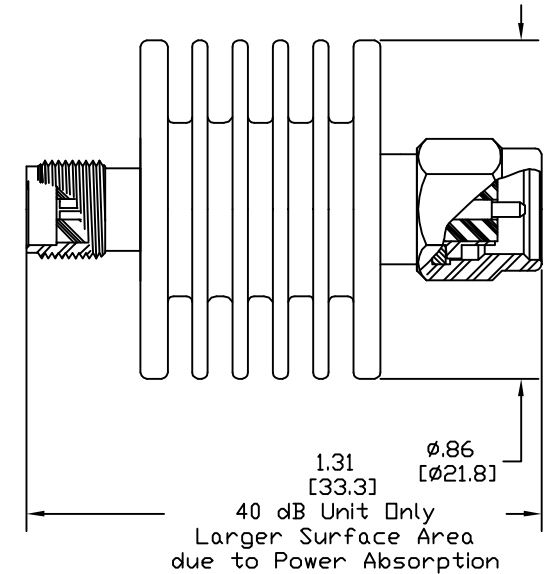
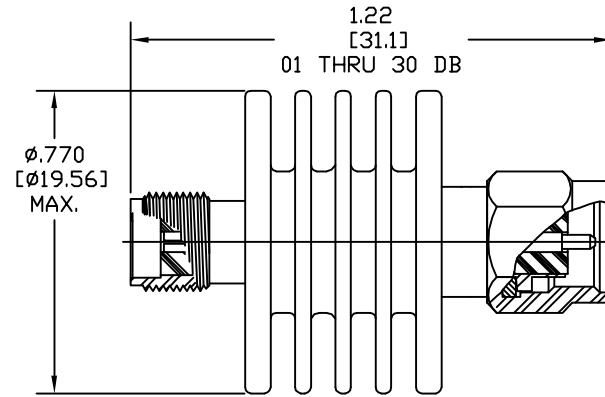
- MATERIALS (COMPLY WITH MIL-DTL-3933 AND MIL-PRF-39012):
 CENTER CONDUCTOR: BERYLLIUM COPPER PER QQ-C-530, ASTM B196,
 ASTM-B197 ALLOYS C17200 OR C17300 PER MIL-PRF-39012
 OUTER CONDUCTOR: STAINLESS STEEL PER ASTM A484 & A582, CLASS 303,
 COND. A.
 HOUSING: ALUMINUM (May be one of several QQ-A-XXX or ASTM standards)
 DIELECTRIC: TEFLON PER ASTM D1710.
 RESISTOR SUBSTRATE AIN OR ALUMINA CERAMIC,
- FINISH:(COMPLY WITH MIL-DTL-3933 AND MIL-PRF-39012):
 CENTER CONDUCTOR: GOLD PER ASTM-B488 AND MIL-PRF-39012
 OUTER CONDUCTOR: PASSIVATED PER ASTM A380. AND MIL-PRF-39012
 HOUSING: BLACK ANODIZE
 RESISTOR: PROPRIETARY THIN FILM HYBRID WITH PROTECTIVE SiO COATING
- ENVIRONMENTAL CAPABILITIES AND DESIGN COMPLY WITH MIL-DTL-3933 FOR CLASS IV DEVICES (SOME PARAMETERS COMPLY WITH TYPE III OR BETTER).

PRODUCTION
RELEASE

NOTE:
THIS DRAWING INCORPORATES
THIRD ANGLE PROJECTION
INTERPRET IN ACC. WITH Y14.5-1992

REVISIONS

REV	DESCRIPTION	DATE	APPROVED
F1	added ordering information	01/24/2010	D. Saunders



DRIVING PRACTICES PER ANSI-Y14.5 MIL-STD-100 & 1000	UNLESS OTHERWISE SPECIFIED TOLERANCES IN DECIMALS INCH MM	DRAWN D. Saunders 3/14/2008 DATE
DIMENSIONS ARE IN INCHES AND APPLY BEFORE/AFTER PROCESSING	.XX .03" [.76]	CHECKED DATE
SURFACE ROUGHNESS 63	.XXX .010" [.25]	ENG DATE
FINISH SEE NOTES	.XXXX .005 [.127]	DATE
MATERIAL SEE NOTES	.XXXXX .0005" [.013]	DATE
	ANGLES 40°/30°	
	REMOVE ALL BURRS/SHARP W/ BREAK IN OF .003" TO .005" UNLESS OTHERWISE NOTED	
	DIA'S CONCENTRIC <.003 T.I.R.	

THESE DRAWINGS AND SPECIFICATIONS ARE THE PROPERTY OF XMA CORP. OR OMNI SPECTRA AND SHALL NOT BE REPRODUCED, COPIED NOR USED IN WHOLE OR IN PART AS A BASIS FOR THE MANUFACTURE OR SALE OF OTHER ITEMS WITHOUT THE EXPRESS WRITTEN PERMISSION OF XMA CORP.
--

DATE	DATE	DATE
DATE	DATE	DATE
DATE	DATE	DATE

www.XMACorp.com Sales@XMACorp.com
XMA Omni Spectra
 Phone: 603-222-2256 Fax: 603-222-2259
 150 Dow Street, Manchester, NH 03101

TITLE
5 Watt SMA Attenuator
 Air Cooled, up to 18 GHz

SIZE C	CAGE CODE 3HT76	DWG NO. 2082-6524-dB
SCALE 4:1	PLATING AREA XXX	SHEET 1 OF 1