

**PRODUCTION  
RELEASE**

NOTE:  
THIS DRAWING INCORPORATES  
THIRD ANGLE PROJECTION  
INTERPRET IN ACC. WITH Y142-1992

REVISIONS		
REV	DESCRIPTION	APPROVED
A	Corrected Format and Specs.	5/11/11 A. Gagne

**ELECTRICAL**

FREQUENCY RANGE DC- 6.0GHz

ATTENUATION ACCURACY DC-6.0GHz

0	±0.30 dB
1-6 dB	±0.30 dB
7 - 20 dB	±0.50 dB
21 - 30 dB	±0.75 dB

VSWR

DC - 2.5 GHz	1.15:1 MAX
2.5 - 6.0 GHz	
0-6dB	1.20:1 MAX
7-12dB	1.25:1 MAX
13-20dB	1.30:1 MAX
25-30dB	1:35:1 MAX

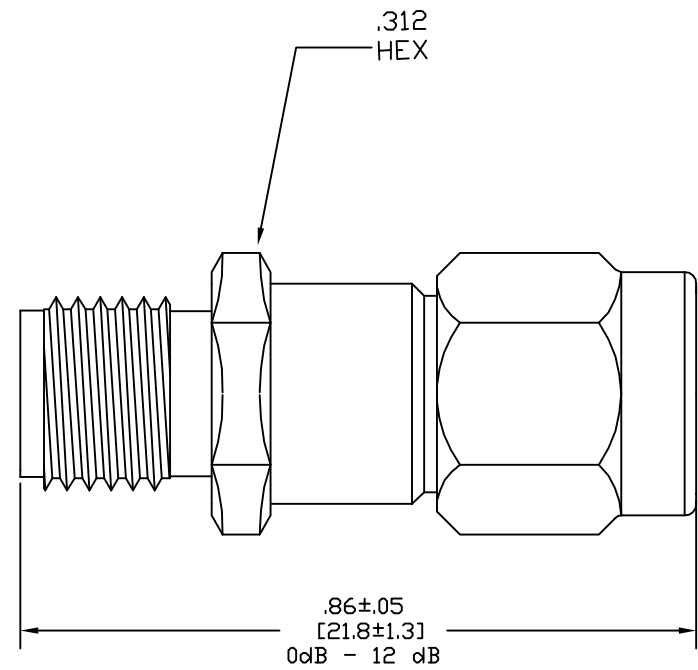
INPUT POWER \_\_\_\_\_ 2 WATTS AVG. @ 25°C  
DERATES LINEARLY TO 10% @ 125°C FROM 25°C

PEAK POWER \_\_\_\_\_ 200 WATTS MAX  
(5µSec PULSE WIDTH, .010% DUTY CYCLE)

IMPEDANCE \_\_\_\_\_ 50 OHMS

OPERATING TEMP RANGE \_\_\_\_\_ -65°C TO +125°C

CONFORMANCE TESTING IS 100% ATTENUATION AND V.S.W.R.  
ACROSS SWEEPED FREQUENCY RANGE AT 20-25°C



**MECHANICAL**

CONNECTOR BODIES \_\_\_\_\_ PASSIVATED STAINLESS STEEL

CENTER CONDUCTORS \_\_\_\_\_ GOLD PLATED BERYLLIUM COPPER

INSULATORS \_\_\_\_\_ PTFE (TEFLON) IAW ASTM-D1710

RESISTIVE ELEMENT \_\_\_\_\_ THIN FILM ON CERAMIC RESISTIVE CIRCUIT

NOT A HERMETIC SEALED UNIT

RECOMMENDED CONNECTION TORQUE IS 7-8 in./Lbs. (0.8 to 0.9 Nm)

DRIVING PRACTICES PER ANSI-Y-543 MIL-STD-100 & 1000	UNLESS OTHERWISE SPECIFIED TOLERANCES IN	DRAWN D. SAUNDERS 01/01/2007	DATE
DIMENSIONS ARE IN INCHES AND APPLY BEFORE/AFTER PROCESSING	DECIMALS INCH MM .X" .03" [.76]	CHECKED	DATE
SURFACE ROUGHNESS 63 ✓	.XX" .010" [.25] .XXX" .005 [.127] .XXXX" .0005" [.013]	ENG. D. SAUNDERS 01/01/2007	DATE
FINISH SEE NOTES	ANGLES ±0°30'	THESE DRAWINGS AND SPECIFICATIONS ARE THE PROPERTY OF XMA CORP. OR OMNI SPECTRA AND SHALL NOT BE REPRODUCED, COPIED NOR USED - IN WHOLE OR IN PART - AS A BASIS FOR THE MANUFACTURE OR SALE OF OTHER ITEMS WITHOUT THE EXPRESS WRITTEN PERMISSION OF XMA CORP.	
MATERIAL SEE NOTES	REMOVE ALL BURRS/SHARP W/ BREAK / R OF .003" TO .005" UNLESS OTHERWISE NOTED DIAS CONCENTRIC <.003 T.I.R.	TITLE	

www.XMACorp.com Sales@XMACorp.com

**XMA** Omni Spectra®  
Phone: 603-222-2256 Fax: 603-222-2259  
150 Dow Street, Manchester, NH 03101

DC-6.0GHz SMA Attenuator

SIZE C	CAGE CODE 3HT76	QWC NO. 2082-6446-dB
SCALE 8:1	PLATING AREA SQUARE INCHES	XXX SHEET 1 OF 1