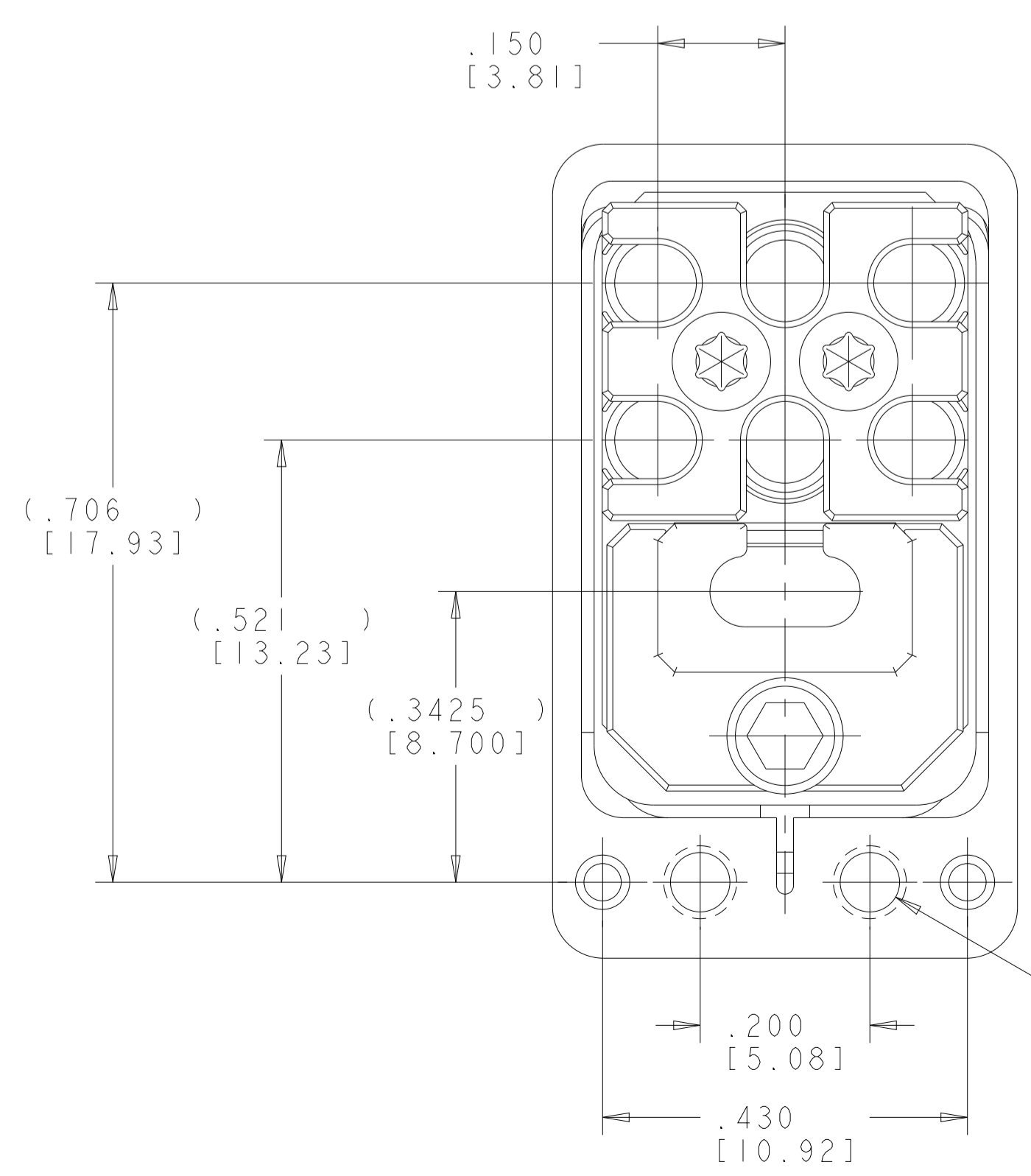
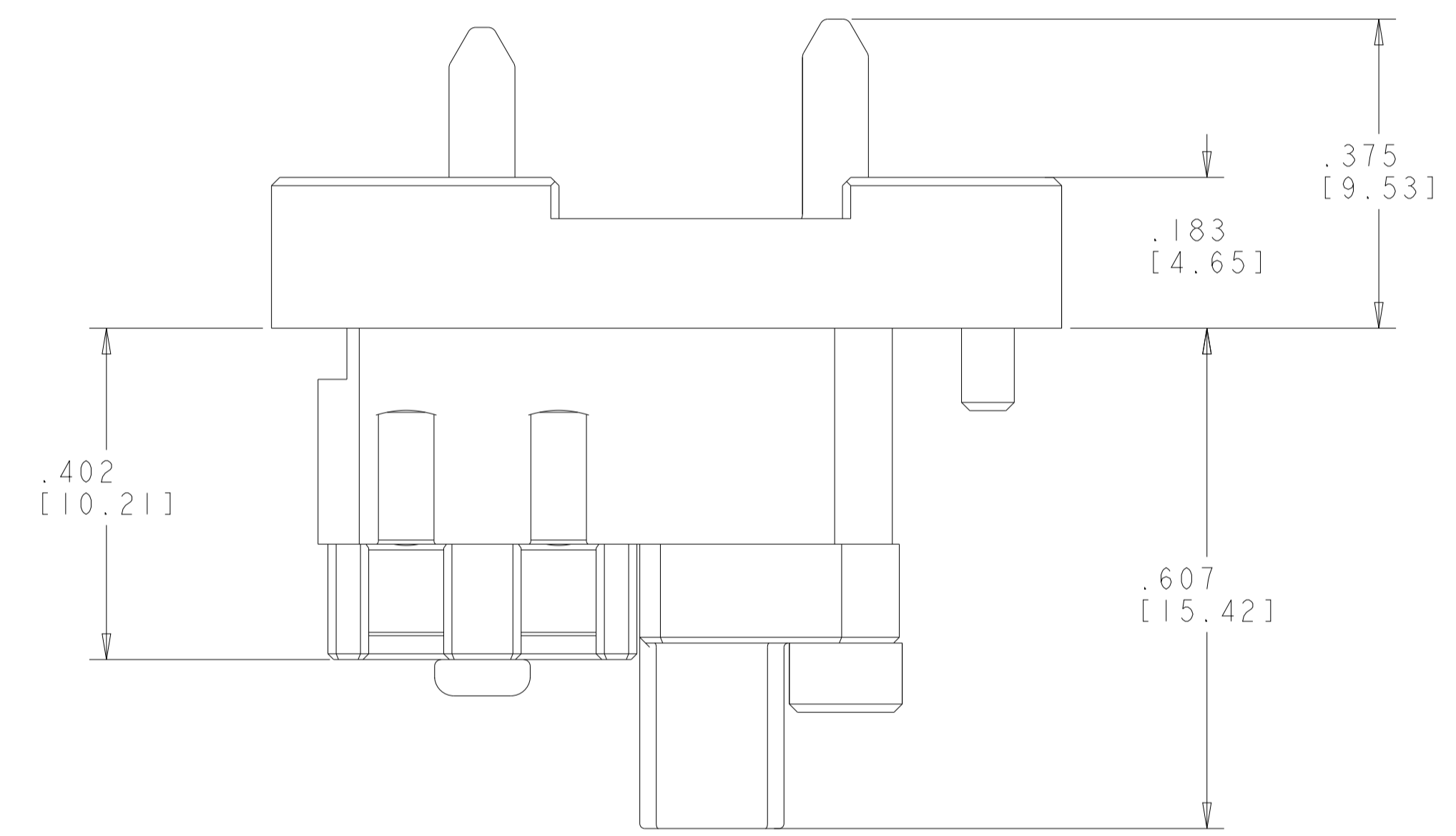
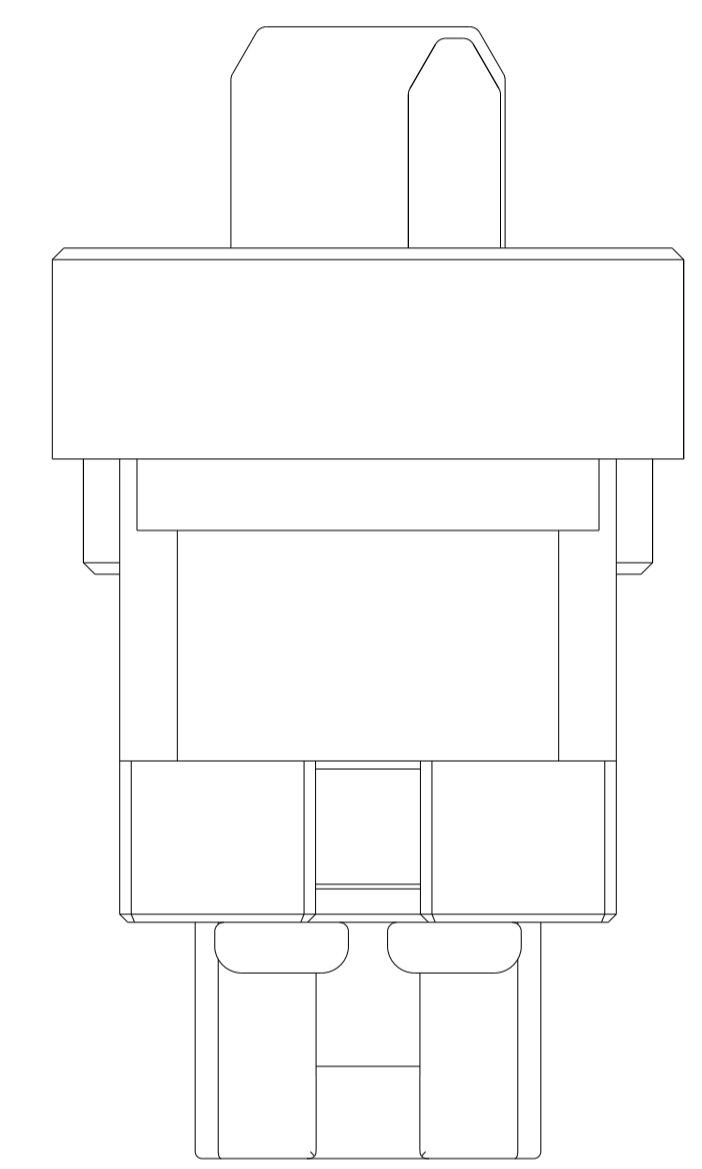
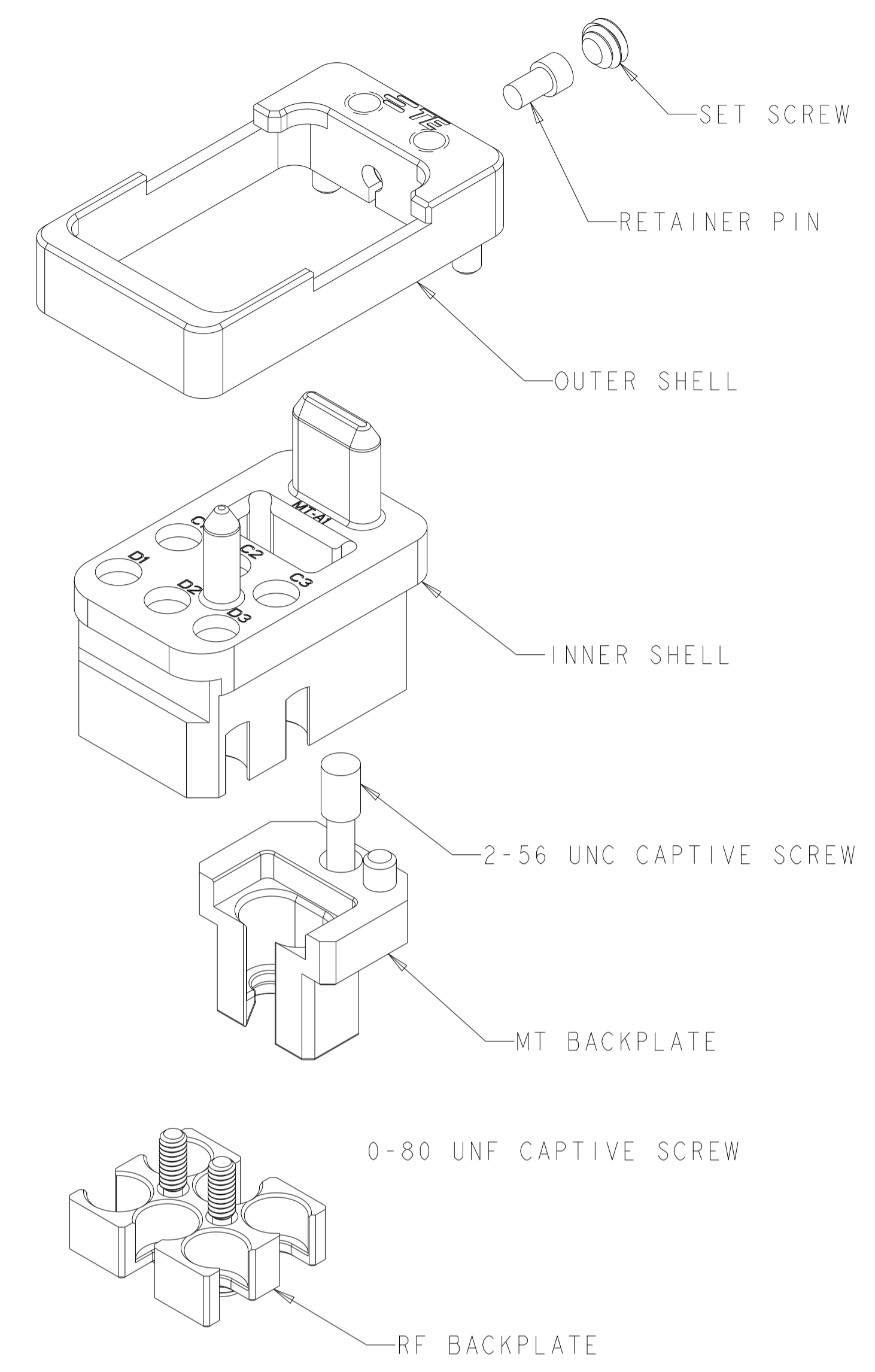
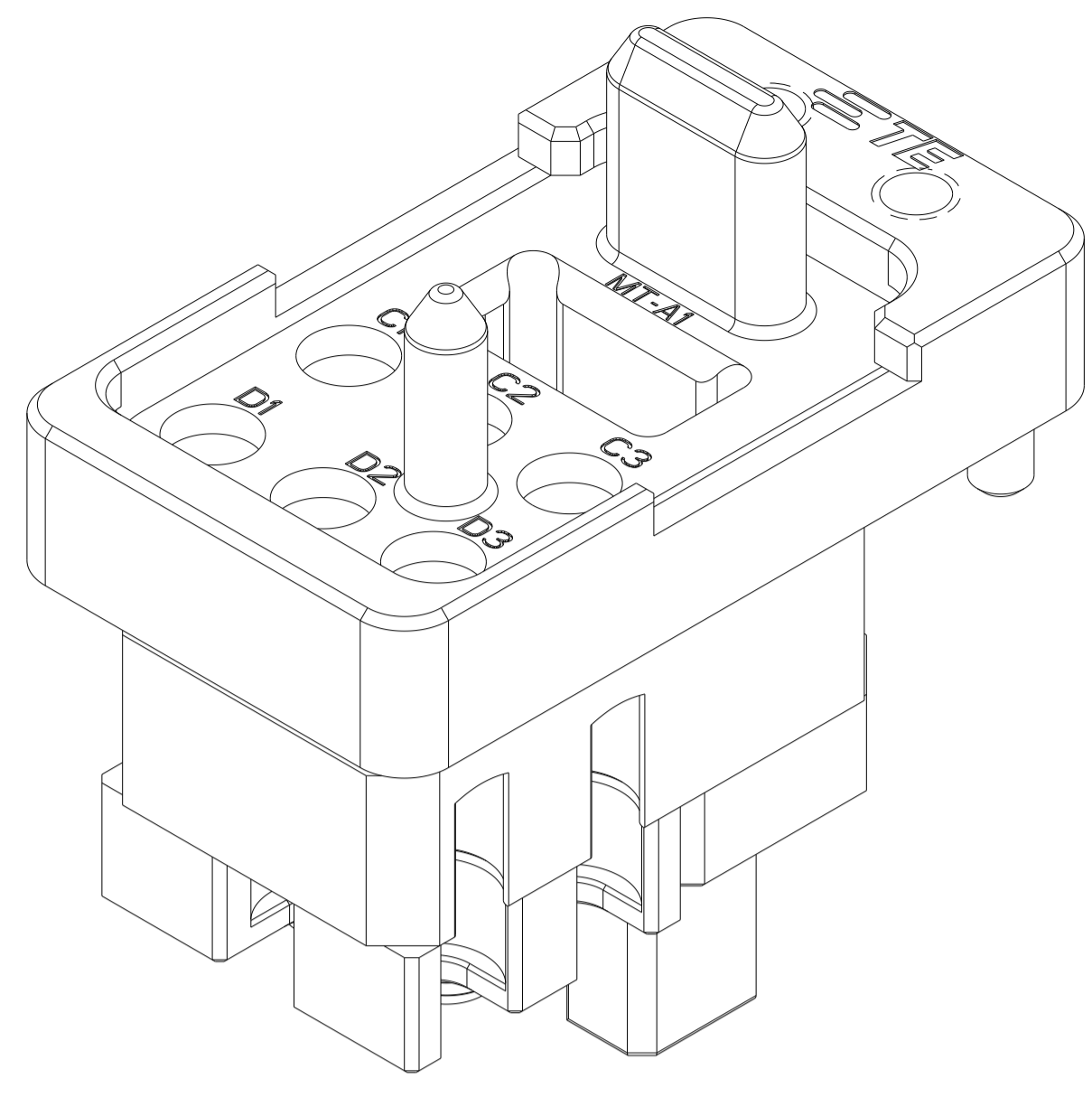
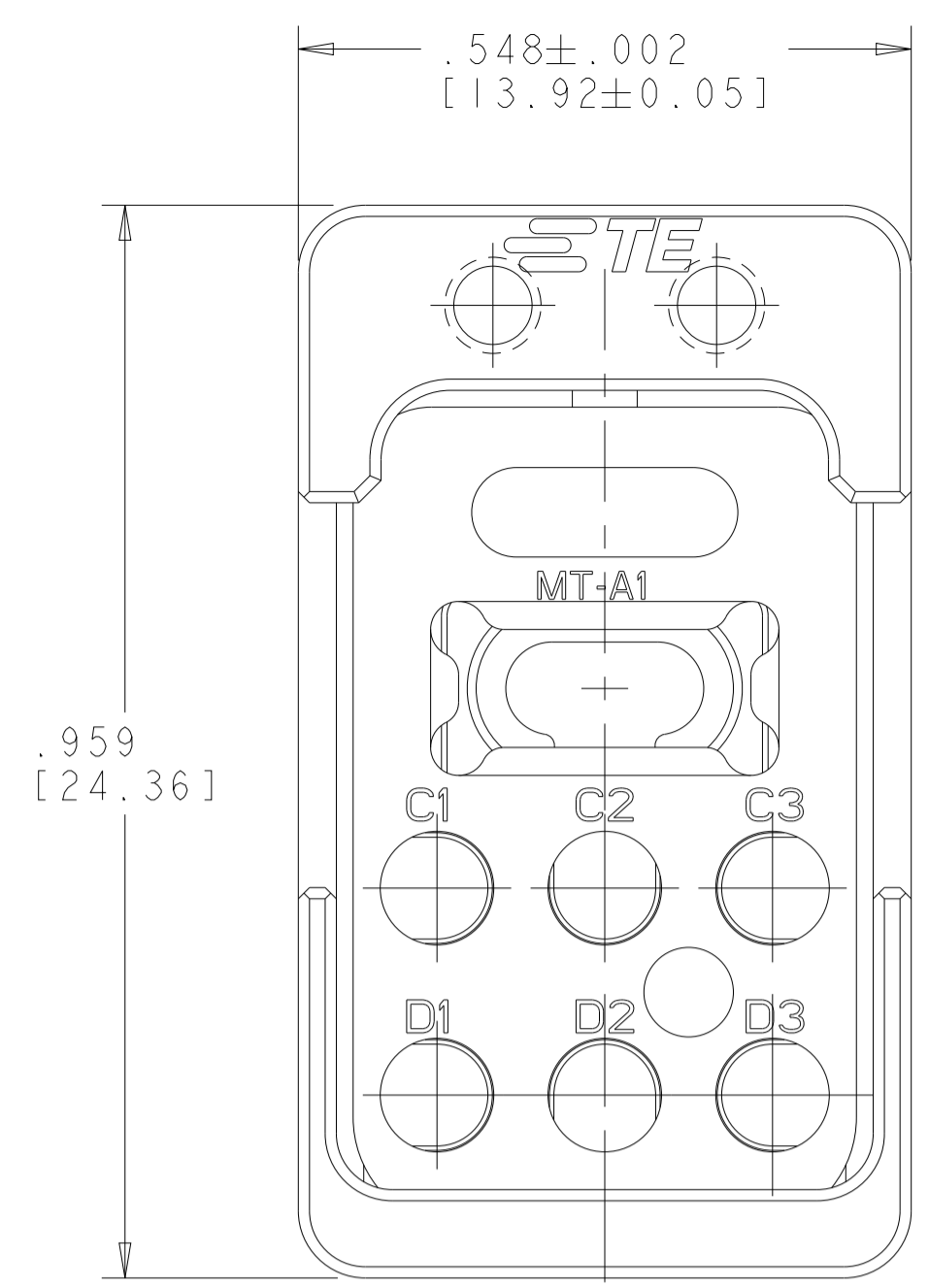


REVISIONS				
P	LTN	DESCRIPTION	DATE	APVD
A		RELEASED PER ECN-23-233336	02OCT2023	LS FB



2-56 UNC-2B THREADED THRU HOLE 2 PLACES

- 1 MATERIAL:
OUTER SHELL, INNER SHELL AND BACKPLATES - ALUMINUM ALLOY
SCREWS - 300 SERIES STAINLESS STEEL
- 2 FINISH:
OUTER SHELL, INNER SHELL AND BACKPLATES - CLEAR CHROMATE CONVERSION COATING
SCREWS - PASSIVATED
- 3. SHIPPED IN KIT FORM. BACKPLATE SCREWS TO BE ASSEMBLED TO BACKPLATE.
INNER AND OUTER SHELLS TO BE ASSEMBLED TOGETHER WITH RETAINER PIN AND SET SCREW.
- 4 CIRCUIT IDENTIFICATION MARKING
- 5. DESIGNED TO BE USED WITH NanoRF CONTACTS 2401218-1 AND MT FERRULE KIT 2332756-1 (12 FIBER) OR 2332756-2 (24 FIBER) ORDERED SEPARATELY.
- 6 PRODUCT SPEC:
NanoRF: 108-163037
MT FIBER OPTIC: 108-163029
- 7 APPLICATION SPEC:
NanoRF: 408-163038
MT FIBER OPTIC: 114-163023

SCALE 4:1

2402889-1
PART NO

THIS DRAWING IS A CONTROLLED DOCUMENT.		OWN: L.SIPE 01FEB2022	TE Connectivity
DIMENSIONS: INCHES(mm)		CHK: F.BLASICK 28APR2023	
TOLERANCES UNLESS OTHERWISE SPECIFIED:		APVD:	NAME: NanoRF Module, BACKPLANE
0 PLC ±	1 PLC ±	PRODUCT SPEC 6	F/O PLUS 6 POSITION .087 CABLE
2 PLC ±	3 PLC ±	APPLICATION SPEC 7	VITA
4 PLC ±	ANGLES ±	WEIGHT	SIZE: CAGE CODE DRAWING NO
FINISH			A 00779 C=2402889
MATERIAL		CUSTOMER DRAWING	RESTRICTED TO
		SCALE 6:1	SHEET 1 OF 1 REV A