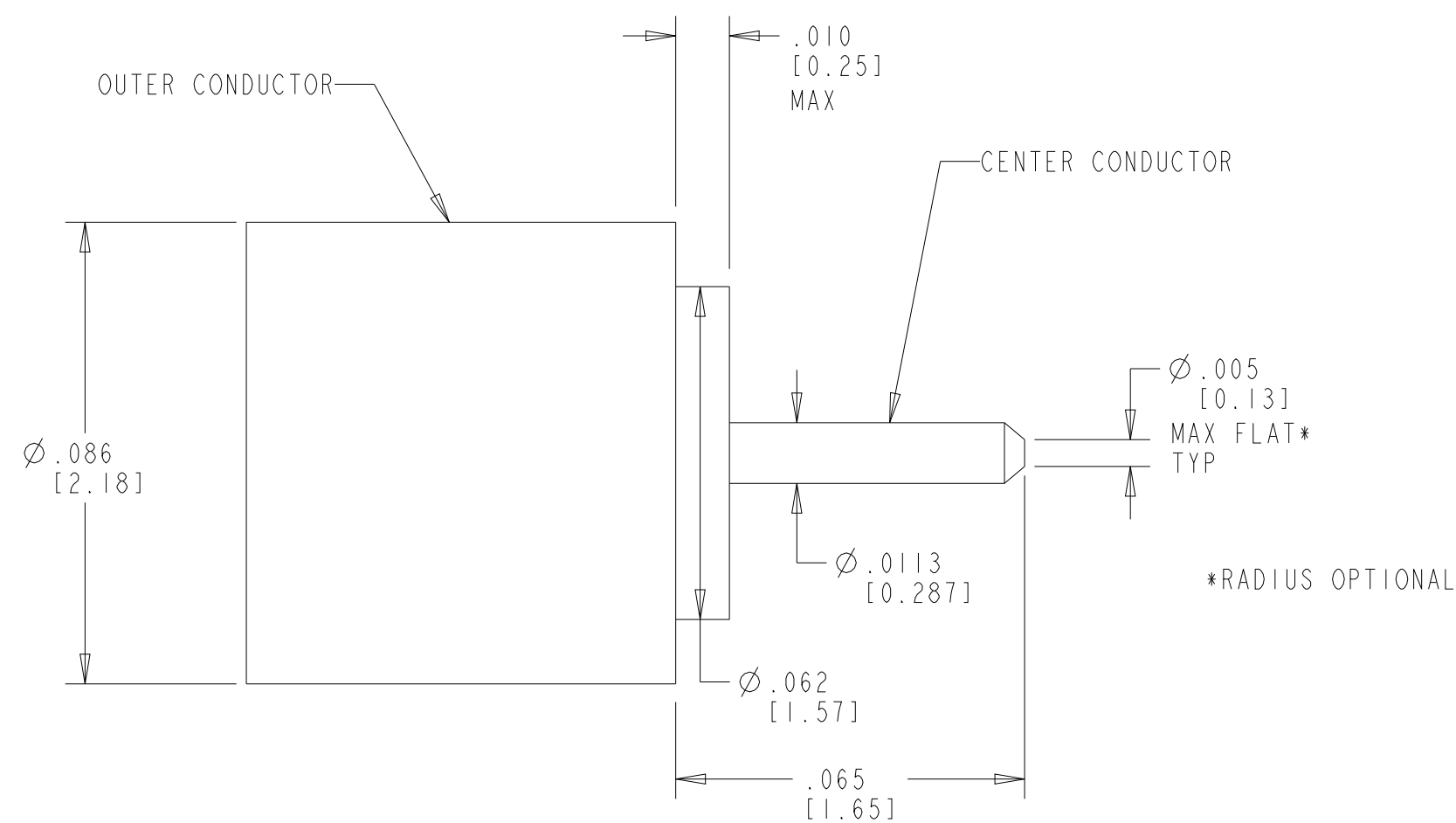
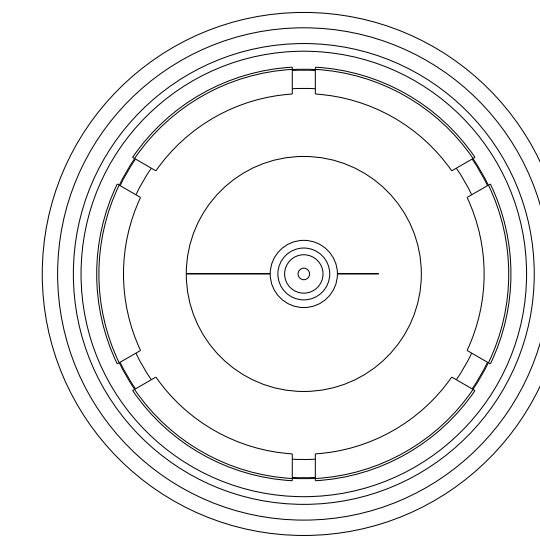
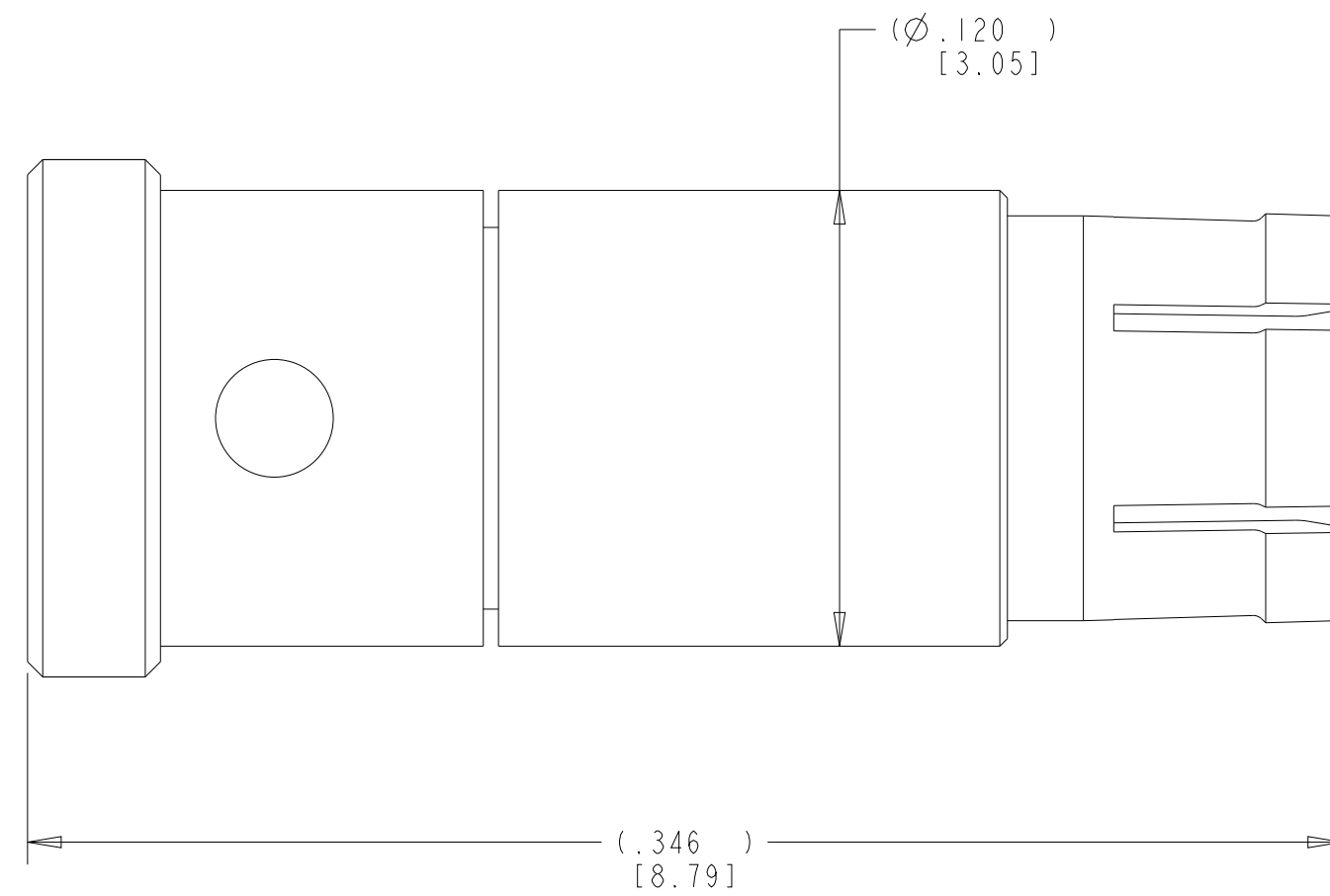


P	LTR	DESCRIPTION	DATE	DWN	APVD
A		RELEASE PER ECN-23-233244	29SEP2023	LS	FB



- 1 MATERIAL:  
BODY AND CENTER CONTACT: COPPER ALLOY  
INSULATOR: TEFLON (PTFE)
- 2 FINISH: FRONT BODY AND CENTER CONTACTS: 50-90 $\mu$ IN GOLD PLATE OVER NICKEL  
REAR BODY: 3-15 $\mu$ IN GOLD PLATE OVER NICKEL

SCALE 32:1  
CABLE PREPARATION FOR  $\text{Ø}.086$ , 75 OHM  
SEMI-RIGID OR CONFORMABLE CABLE

2401219-1  
PART NO

THIS DRAWING IS A CONTROLLED DOCUMENT.		DWN L. SIPE 09FEB2022	TE Connectivity	
DIMENSIONS: in		CHK F. BLASICK 01MAR2023		
TOLERANCES UNLESS OTHERWISE SPECIFIED:		APVD -	NAME SOCKET CONTACT ASSEMBLY, NanoRF	
0 PLC $\pm$		PRODUCT SPEC -	SIZE A2	
1 PLC $\pm$		APPLICATION SPEC -	CAGE CODE 00779	DRAWING NO C-2401219
2 PLC $\pm$		WEIGHT -	RESTRICTED TO -	
3 PLC $\pm .001$ [0.03]		MATERIAL 1	SCALE 20:1 SHEET 1 OF 1 REV A	
4 PLC $\pm$			CUSTOMER DRAWING	
ANGLES $\pm$		FINISH 2		