

**CATALOG NUMBER**

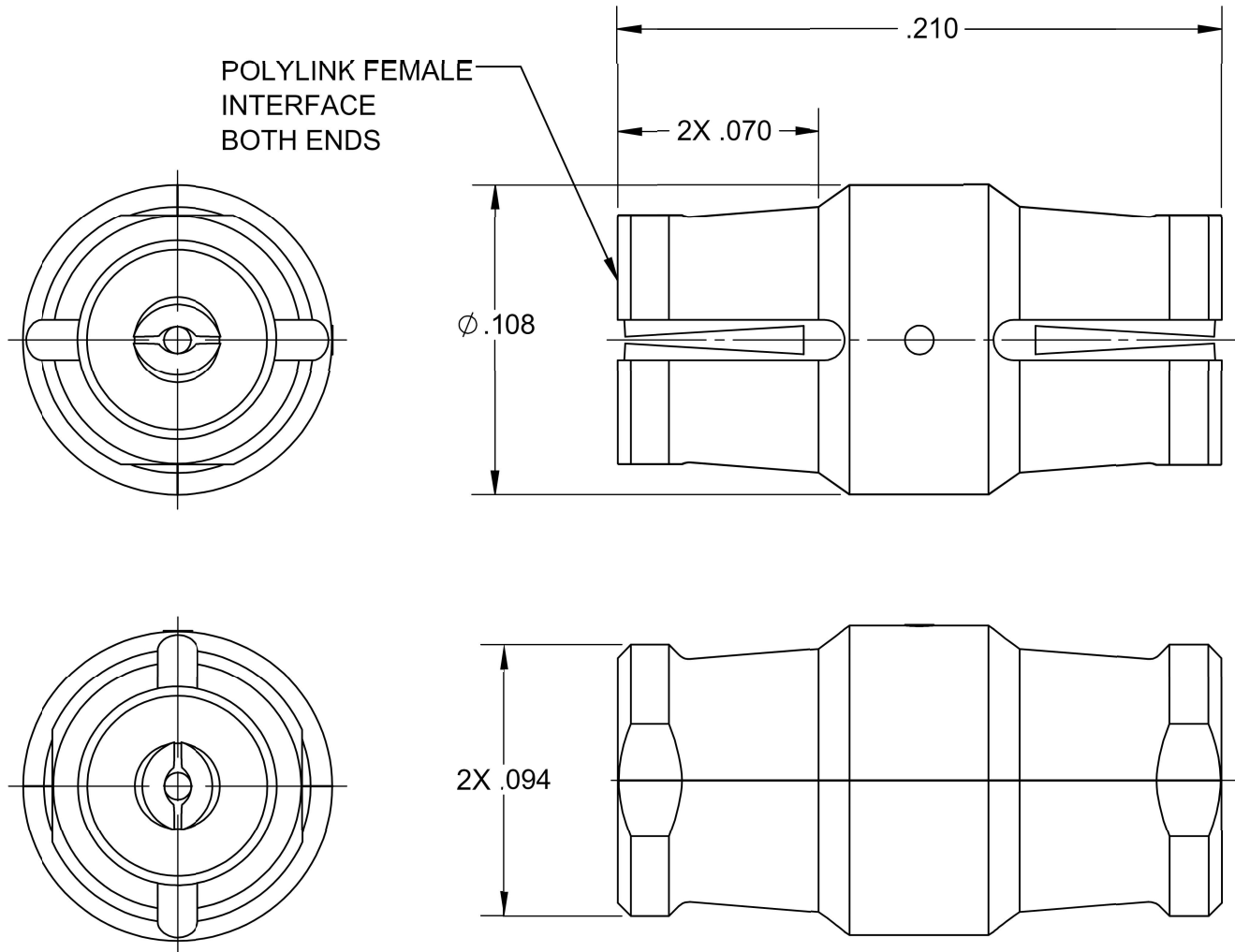
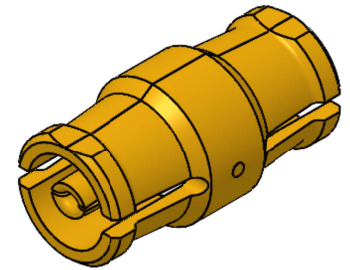
BB1BB1-000P-01-0210

**MATERIAL AND FINISH**

**CENTER CONTACT:** BeCu; GOLD PLATE 75 MICROINCHES TYPICAL  
OVER NICKEL PLATE 100 MICROINCHES TYPICAL

**HOUSING:** ABS, GOLD PLATE 5 MICROINCHES MINIMUM  
OVER NICKEL PLATE 75 MICROINCHES TYPICAL

**DIELECTRIC:** VIRGIN PTFE



**NOTES:**

- 1. INSTALLATION/EXTRACTION TOOL: BB095-A99-01.

CORNING RESTRICTED - This drawing and any data contained herein is the proprietary and confidential information of Corning. Neither receipt nor possession of this drawing provides any right to duplicate, use, or disclose any information contained herein except with the express written consent of Corning.  
EXPORT CONTROL - This document contains information within the purview of the Export Administration Regulations (EAR), 15 CFR 730-774, and may be export controlled.

<b>APPROX. WEIGHT:</b>	0.0292 grams	<b>SIGNATURES</b>	<b>INIT</b>	<b>DATE:</b>
<b>TOLERANCE:</b> .XX ±.010 .XXX ±.005 ANGULAR ±5°		<b>DRAWN:</b>	TEF	12/7/23
		<b>CHECKED:</b>	MJC	
		<b>APPROVED:</b>	TEF	

<b>POLYLINK FEMALE BLINDMATE INTERCONNECT (.210 LONG)</b>	<b>CAGE CODE:</b> 82316	<b>SCALE:</b> 16:1	<b>CORNING</b>	<small>PLANT OF ORIGIN</small> CORNING PHOENIX PLANT: (623)245-1050 CUSTOMER SERVICE: (800) 651-8869
	<b>REVISION:</b>	01		

<b>SOURCE FILE:</b>	<b>OP# 28553</b>	<b>DWG. NO.:</b>	<b>OL-BB1BB1-000P-01-0210</b>	<b>ASSY. PROC.:</b>	-
---------------------	------------------	------------------	-------------------------------	---------------------	---