

CATALOG NUMBER

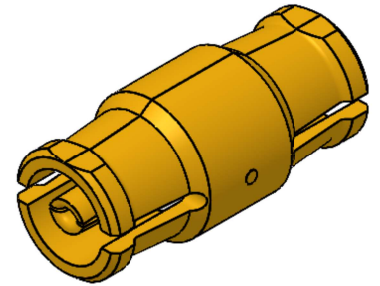
BB1BB1-000P-01-0236

MATERIAL AND FINISH

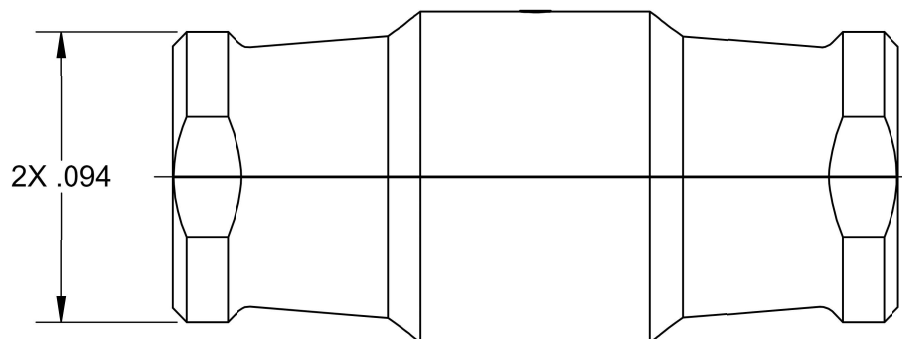
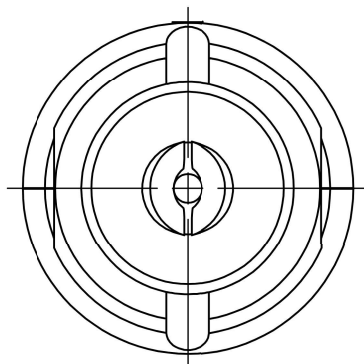
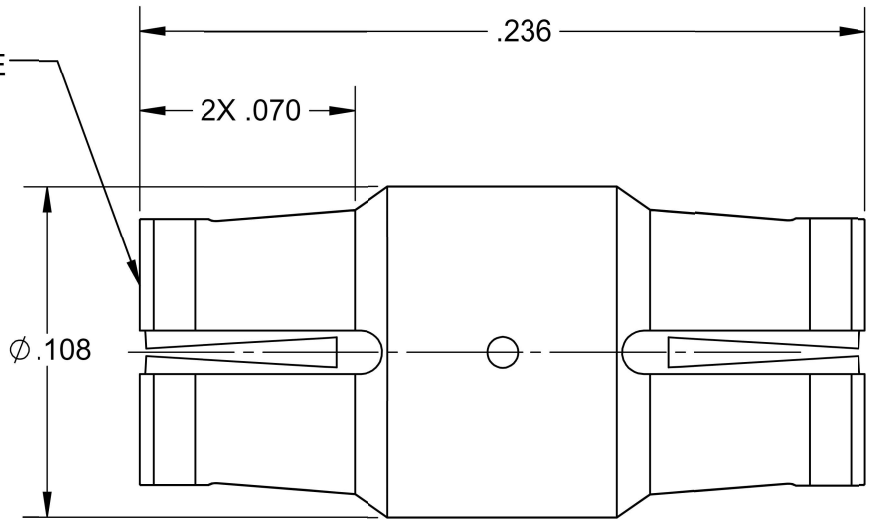
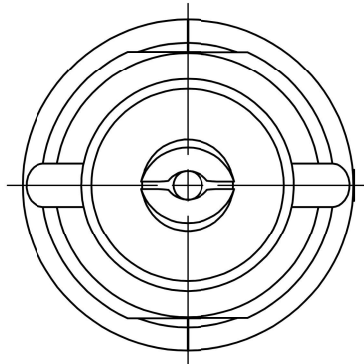
CENTER CONTACT: BeCu; GOLD PLATE 75 MICRONS TYPICAL
OVER NICKEL PLATE 100 MICRONS TYPICAL

HOUSING: ABS, GOLD PLATE 5 MICRONS MINIMUM
OVER NICKEL PLATE 75 MICRONS TYPICAL

DIELECTRIC: VIRGIN PTFE



POLYLINK FEMALE
INTERFACE
BOTH ENDS



CORNING RESTRICTED - This drawing and any data contained herein is the proprietary and confidential information of Corning. Neither receipt nor possession of this drawing provides any right to duplicate, use, or disclose any information contained herein except with the express written consent of Corning.
EXPORT CONTROL - This document contains information within the purview of the Export Administration Regulations (EAR), 15 CFR 730-774, and may be export controlled.

APPROX. WEIGHT:	0.0362 grams	SIGNATURES	INIT	DATE:
TOLERANCE: .XX ±.010 .XXX ±.005 ANGULAR ±5°		DRAWN:	TEF	12/11/23
		CHECKED:	MJC	
		APPROVED:	TEF	

**POLYLINK FEMALE BLINDMATE
INTERCONNECT 6.0 mm (.236 LONG)**

CAGE CODE: 82316	SCALE: 16:1
REVISION:	01

CORNING

PLANT OF ORIGIN
CORNING PHOENIX
PLANT: (623)245-1050
CUSTOMER SERVICE:
(800) 651-8869

SOURCE FILE: OP-28553

DWG. NO.: OL-BB1BB1-000P-01-0236

ASSY. PROC.: -