

**CATALOG NUMBER**

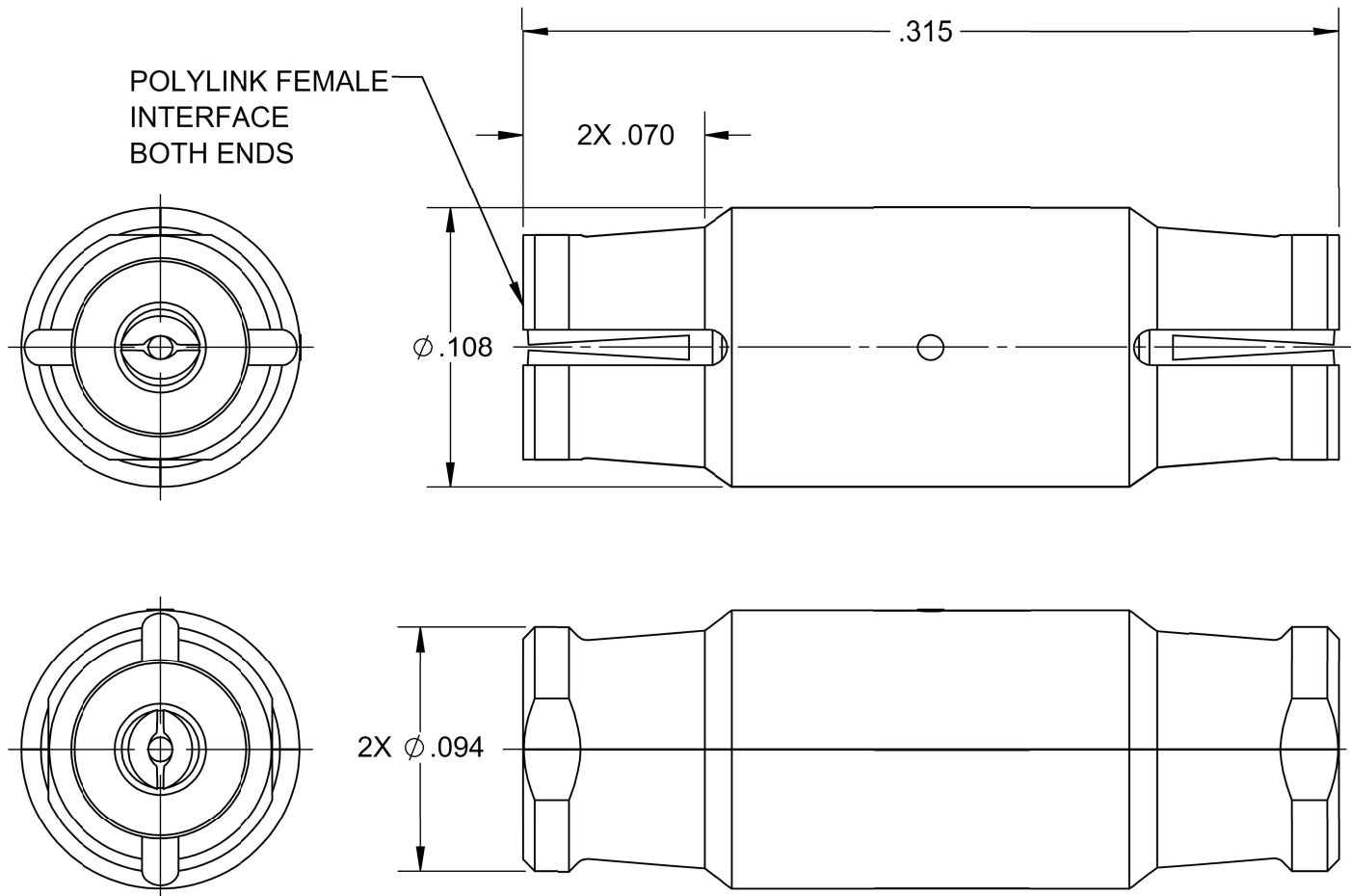
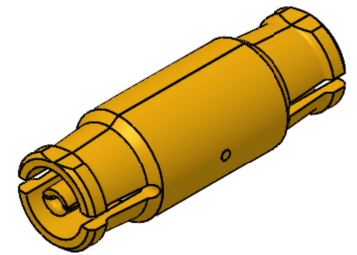
BB1BB1-000P-02-0315

**MATERIAL AND FINISH**

**CENTER CONTACT:** BeCu; GOLD PLATE 75 MICRONS TYPICAL  
OVER NICKEL PLATE 100 MICRONS TYPICAL

**HOUSING:** ABS, GOLD PLATE 5 MICRONS MINIMUM  
OVER NICKEL PLATE 75 MICRONS TYPICAL

**DIELECTRICS:** VIRGIN PTFE



**NOTES:**

1. INSTALLATION/EXTRACTION TOOL: BB095-A99-01.

CORNING RESTRICTED - This drawing and any data contained herein is the proprietary and confidential information of Corning. Neither receipt nor possession of this drawing provides any right to duplicate, use, or disclose any information contained herein except with the express written consent of Corning.  
EXPORT CONTROL - This document contains information within the purview of the Export Administration Regulations (EAR), 15 CFR 730-774, and may be export controlled.

<b>APPROX. WEIGHT:</b>	0.0462 grams	<b>SIGNATURES</b>	<b>INIT</b>	<b>DATE:</b>
<b>TOLERANCE:</b> .XX ±.010 .XXX ±.005 ANGULAR ±5°		<b>DRAWN:</b>	TEF	8/13/19
		<b>CHECKED:</b>	MJC	
		<b>APPROVED:</b>	TEF	

<b>POLYLINK FEMALE BLINDMATE INTERCONNECT 8.0mm (.315 LONG)</b>	<b>CAGE CODE:</b> 82316	<b>SCALE:</b> 14:1	<b>CORNING</b>	PLANT OF ORIGIN CORNING PHOENIX PLANT: (623)245-1050 CUSTOMER SERVICE: (800) 651-8869
	<b>REVISION:</b> 01			

<b>SOURCE FILE:</b> OP-28553	<b>DWG. NO.:</b> OL-BB1BB1-000P-02-0315	<b>ASSY. PROC.:</b> -
---------------------------------	--	--------------------------