

CATALOG NUMBER

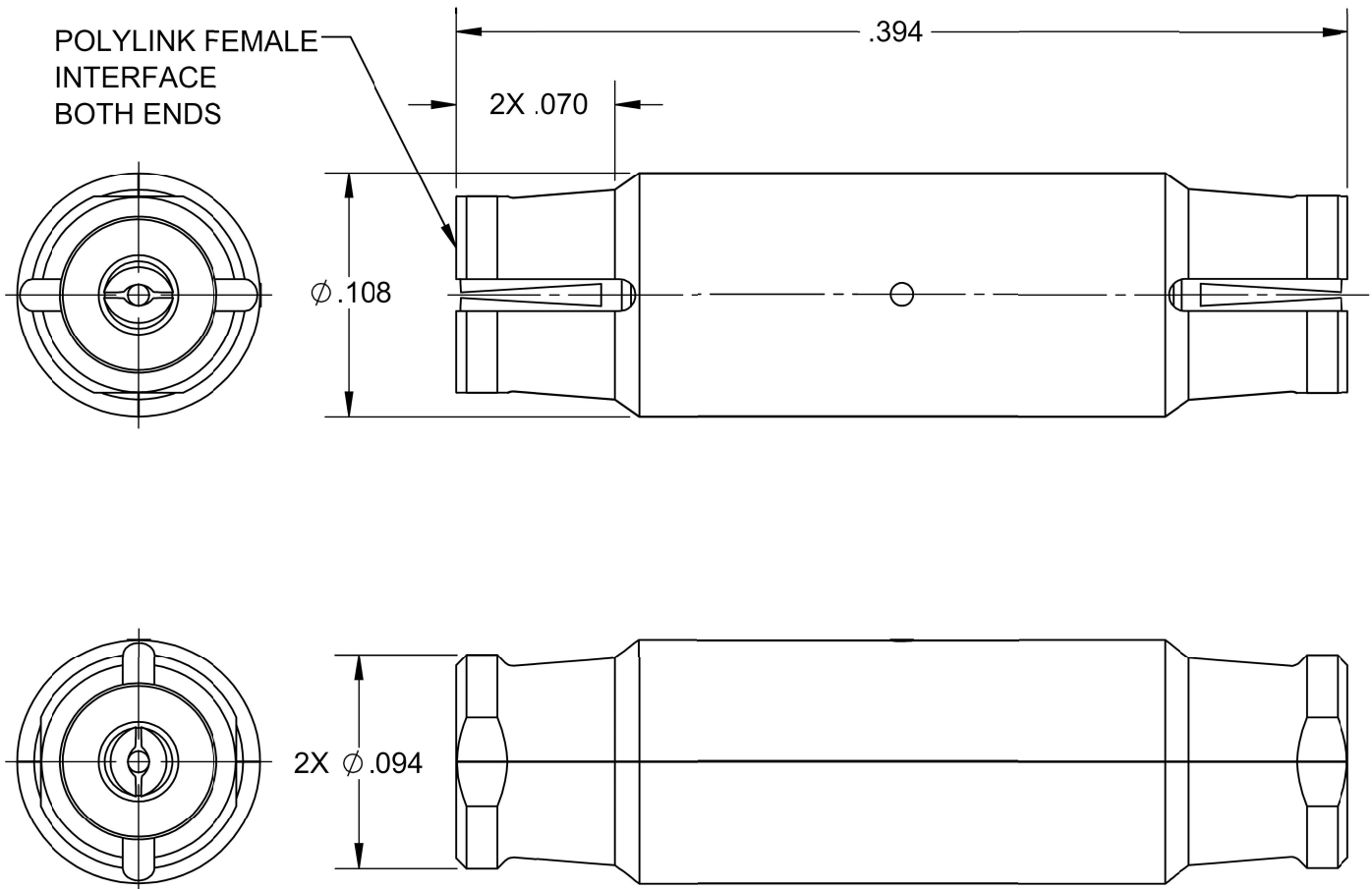
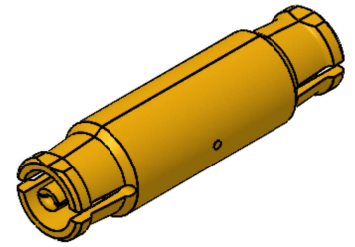
BB1BB1-000P-02-0394

MATERIAL AND FINISH

CENTER CONTACT: BeCu; GOLD PLATE 75 MICRONS TYPICAL
OVER NICKEL PLATE 100 MICRONS TYPICAL

HOUSING: ABS, GOLD PLATE 5 MICRONS MINIMUM TYPICAL
OVER NICKEL PLATE 75 MICRONS TYPICAL

DIELECTRIC: VIRGIN PTFE



NOTES:

1. INSTALLATION/EXTRACTION TOOL: BB095-A99-01.

CORNING RESTRICTED - This drawing and any data contained herein is the proprietary and confidential information of Corning. Neither receipt nor possession of this drawing provides any right to duplicate, use, or disclose any information contained herein except with the express written consent of Corning.
EXPORT CONTROL - This document contains information within the purview of the Export Administration Regulations (EAR), 15 CFR 730-774, and may be export controlled.

APPROX. WEIGHT:	0.0593 grams	SIGNATURES	INIT	DATE:
TOLERANCE: .XX ±.010 .XXX ±.005 ANGULAR ±5°		DRAWN:	TEF	12/11/23
		CHECKED:	MJC	
		APPROVED:	TEF	

POLYLINK FEMALE BLINDMATE INTERCONNECT 10.0mm (.394 LONG)	CAGE CODE: 82316	SCALE: 12:1	CORNING	PLANT OF ORIGIN CORNING PHOENIX PLANT: (623)245-1050 CUSTOMER SERVICE: (800) 651-8869
	REVISION: 01			

SOURCE FILE: OP# 28553	DWG. NO.: OL-BB1BB1-000P-02-0394	ASSY. PROC.: -
----------------------------------	--	--------------------------