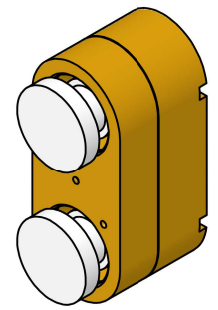


CATALOG NUMBER	"A" INTERFACE
BB036-TP3-01	FULL DETENT
BB036-TP5-01	SMOOTH BORE



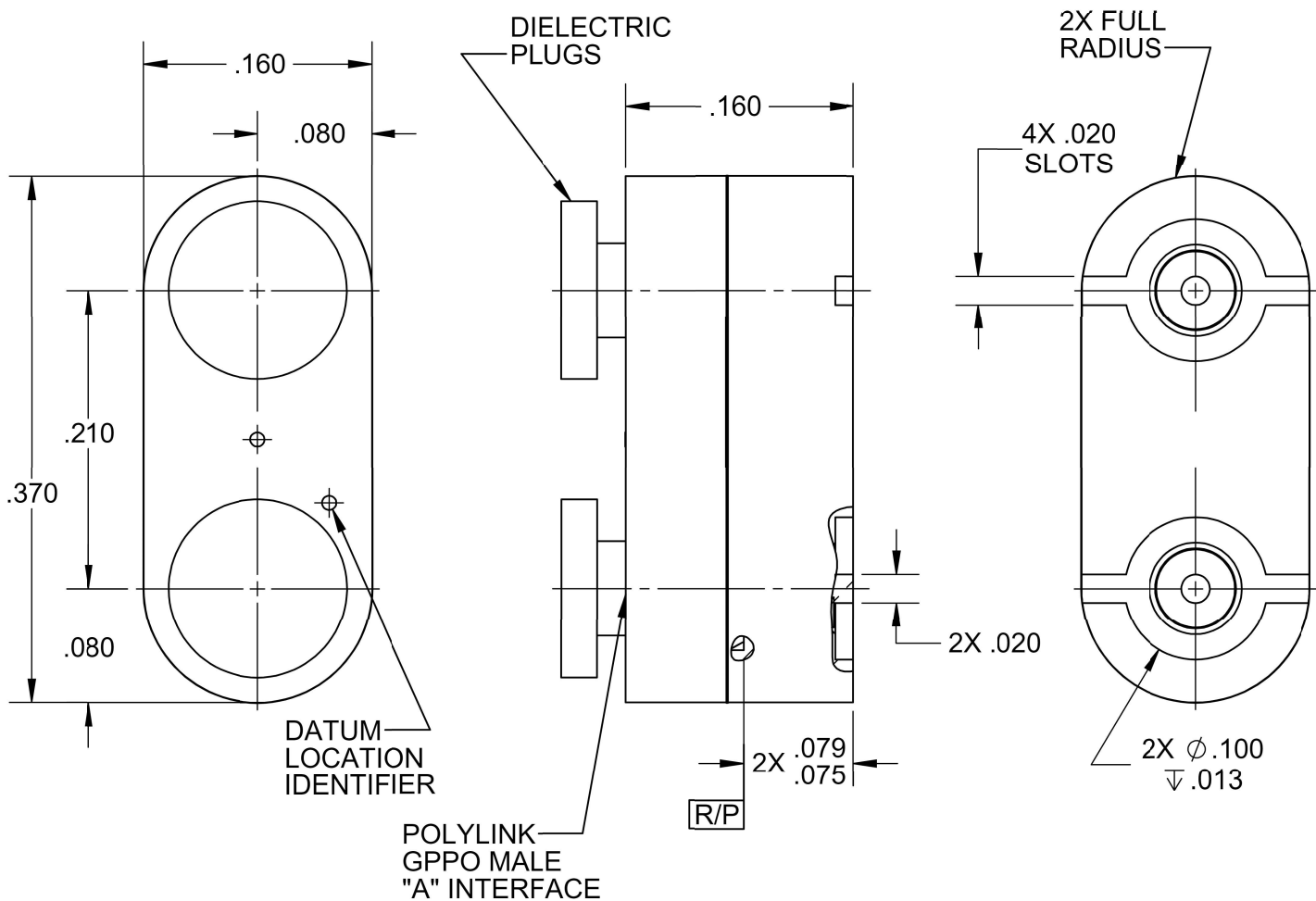
**MATERIAL AND FINISH**

CENTER CONTACTS: BeCu; GOLD PLATE 75 MICROINCHES TYPICAL  
OVER NICKEL PLATE 100 MICROINCHES TYPICAL

HOUSING: ABS; GOLD PLATE 5 MICROINCHES  
OVER NICKEL PLATE 75 MICROINCHES TYPICAL

DIELECTRICS: POLYAMIDE-IMIDE

DIELECTRIC PLUGS: VIRGIN PTFE



CORNING RESTRICTED - This drawing and any data contained herein is the proprietary and confidential information of Corning. Neither receipt nor possession of this drawing provides any right to duplicate, use, or disclose any information contained herein except with the express written consent of Corning.  
EXPORT CONTROL - This document contains information within the purview of the Export Administration Regulations (EAR), 15 CFR 730-774, and may be export controlled.

APPROX. WEIGHT:	0.1818 grams	SIGNATURES	INIT	DATE:
TOLERANCE:		DRAWN:	TEF	2/2/24
.XX ±.010 .XXX ±.005 ANGULAR ±5°		CHECKED:	BLK	
		APPROVED:	TEF	

<b>POLYLINK GPPO MALE SURFACE MOUNT (TAB DETENT)</b>	CAGE CODE: 82316	SCALE: 8:1	<b>CORNING</b>	PLANT OF ORIGIN
	REVISION: 01			CORNING PHOENIX PLANT: (623)245-1050 CUSTOMER SERVICE: (800) 651-8869

SOURCE FILE:	OP# 28669	DWG. NO.:	OL-BB036-TPX-01	ASSY. PROC.:	-
--------------	-----------	-----------	-----------------	--------------	---